

KombiTemp® // Head type J

-30...200 °C



K 110



K 120



Highlights

- High measurement reliability due to two independent measuring points
- Fast detection of malfunctioning probes or dial thermometers in the system to be checked
- Low installation costs, advantages of the industrial thermometer

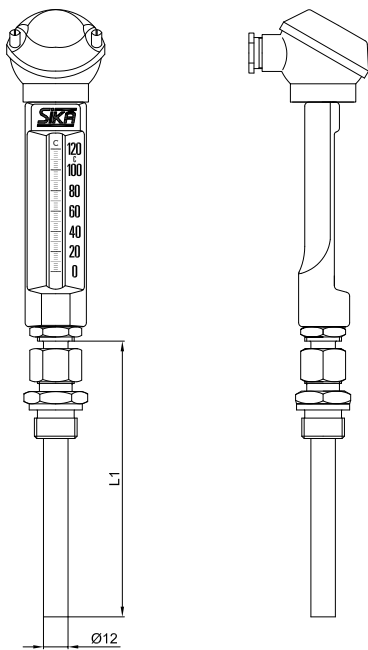
Technical data	
Version	Straight
Dimensions housing	110 x 30 mm
Measuring range	-30...200 °C
Medium / Application	Liquid and gaseous media
Immersion tube length	
→ Clamp connection	135 mm or 160 mm
→ Fixed thread connection	63 mm, 100 mm or 160 mm
Immersion tube diameter	12 x 1 mm
Process connection	
→ Clamp connection	G½
→ Fixed thread connection	G½ or M20 x 1.5
Nominal pressure	
→ Immersion tube brass	PN 16
→ Immersion tube stainless steel	PN 40
Thermometer capillary	Prismatic, Ø approx. 6 mm
Thermometer filling	
→ Blue	-30...200 °C
Medium temperature	Depending on measuring range
Ambient temperature	-20...60 °C (only for indoor use)
Storage temperature	-25...60 °C
Degree of protection EN 60529	IP65

Electrical data	
Measuring element	1 x Pt100 / 3-wire 1 x Pt1000 / 2-wire
Accuracy	Class B
Electrical connection	Head type J

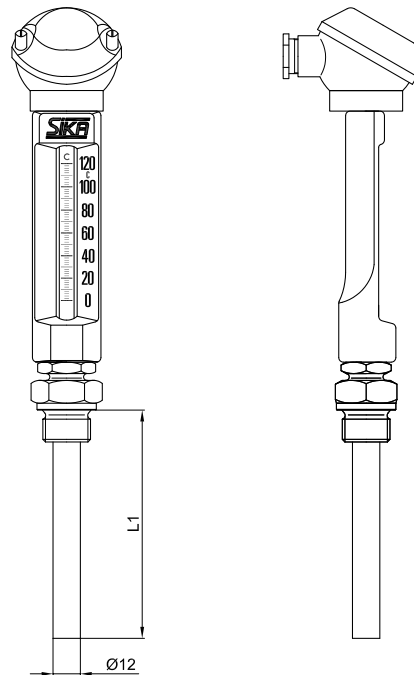
Options	
For type	See order code
K 110 / K 120	Analogue output 4...20 mA for 1 x Pt100

Technical drawings

K 110



K 120



Materials

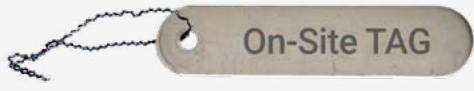
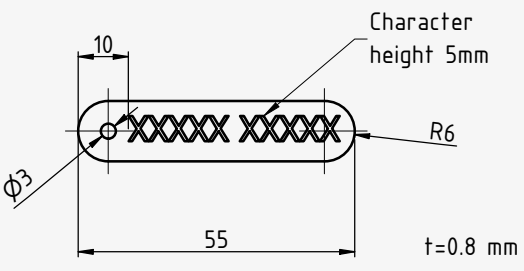
Materials	
Not in contact with medium	
Housing	Warm pressed aluminium part, silver anodized
In contact with medium	
Process connection	Brass or stainless steel 1.4571
Immersion tube	Brass or stainless steel 1.4571

Article numbers

Order code							
Type							
K110							
Straight, clamp connection	K110						
K120							
Straight, fixed thread connection	K120						
Display ranges							
-30...50 °C		35					
0...60 °C		06					
0...100 °C		10					
0...120 °C		12					
0...160 °C		16					
0...200 °C		20					
Immersion tube length L₁		adjusted immersion depth					
Clamp connection (K 110)							
135 mm		50 mm		135			
160 mm		73 mm		160			
Fixed thread connection (K 120)							
63 mm				063			
100 mm				100			
160 mm				160			
Process connection							
Clamp connection (K 110)							
G½					2		
Fixed thread connection (K 120)							
G½					2		
M20 x 1.5					7		
Immersion tube material							
Brass						1	
Stainless steel						3	
Electrical temperature sensor							
1x Pt100 / 3-wire / class B							1
1x Pt1000 / 2-wire / class B							7
Head transmitter							
Without							0
4...20 mA*							1
Example order number	K110	35	135	2	1	1	0

* Only for Pt100 / 3-wire / class B (however, for technical reasons, only 2 wires are connected)

Accessories

Accessories	Article number
<p>Measuring point designation Laser-inscribed stainless steel plate with fixing wire for easy attachment to measuring points</p> <ul style="list-style-type: none">→ Scope of delivery: Designation plate inscribed according to specification and enclosed fixing wire (sealing wire)→ Fastening: Wire (included in delivery), alternatively sealing, cable ties or similar (not included in delivery)→ Materials: Plate stainless steel 1.4571, wire stainless steel→ Dimensions: Plate 55 x 10 x 0.8 mm, wire length 180 mm→ Inscription: one-sided, single-line, max. 11 characters, character height 5 mm, designation width max. 40 mm, letters, numbers, symbols, barcodes, QR codes→ Transmission of designations: digital list, file formats Excel, Word or CSV  	<p>ONSITETAG</p>