

DiTemp® // DT3 series

-40...300 °C



DT3-01

BEST
SELLER



DT3-10



Highlights

- Intuitive recognition of process parameters and trends → Dual display unit
- Robust mechanical construction → Reliable and long-lasting operation
- Optional integrable transmitters → Simple integration into process control system
- Simple signalling of critical operating states → Freely programmable switching contacts
- Up to 10 years of energy self-sufficient operation → Durable lithium battery

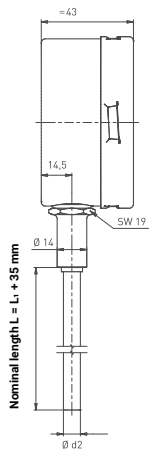
Technical data	
Version	Straight
Dimensions	80 mm x 45 mm (D x D)
Measuring range	-40...300 °C
Medium / Application	Liquid and gaseous media
Immersion tube length	100...400 mm
Immersion tube diameter	6 or 8 mm
Process connection	Without, G $\frac{1}{4}$, G $\frac{1}{2}$, G $\frac{3}{4}$, M20 x 1.5, M27 x 2
Pressure rating	PN 25
Display	Bar graph 17 divisions 3 $\frac{1}{2}$ digit, 7 segment LCD, 14 mm high
Resolution	0.1 K in the range <200 °C 1 K in the range >200 °C
Measuring rate	3 s
Ambient temperature	5...60 °C
Storage temperature	5...60 °C
Degree of protection EN 60529	IP65

Electrical data	
Measuring element	Pt1000 / 2-wire / Class B
Accuracy	± 1 % of range ± 1 digit
Electrical connection	5-pin plug connector M12 x 1
Supply voltage	Lithium battery, 10 years service life (display unit)
Analogue output	
Current signal	4...20 mA / 2-wire (loop supply 15...26 VDC)
Scaling	Measuring range
Signal error	Error signal according to NAMUR NE43
Burden	Max. 500 Ω
Alarm output	
Quantity	2 x normally open contact
Version	Solid-state relay
Voltage	24 VAC/DC
Output current / switching current	Max. 100 mA
Switching point	Programmable
Hysteresis	Programmable
Alarm delay	0...999.9 s programmable

Technical drawings

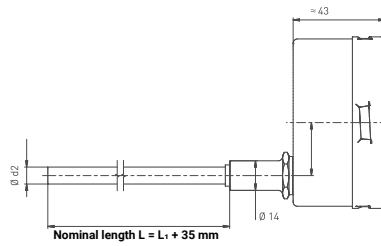
DT3-01

Immersion tube routed downwards (vertical)



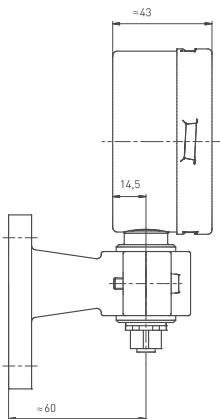
DT3-02

Immersion tube routed to the rear (axial)



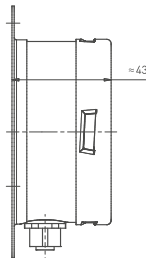
DT3-10

M12 socket at bottom with wall holder



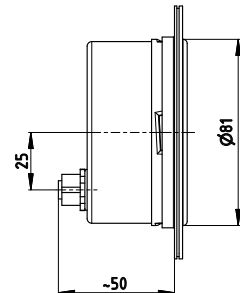
DT3-20

M12 socket at bottom mounting flange at rear



DT3-30

M12 socket at rear mounting flange at front



Materials

Materials	
Not in contact with medium	
Housing	Stainless steel 1.4301 with polished front frame, glass or plastic front screen
In contact with medium	
Process connection	Stainless steel 1.4571
Immersion tube	Stainless steel 1.4571

Article numbers

Order code										
Type										
Immersion tube routed downwards (vertical)	DT3-01	961								
Immersion tube routed to the rear (axial)	DT3-02	962								
M12 socket at bottom with wall holder	DT3-10	970								
M12 socket at bottom mounting flange at rear	DT3-20	980								
M12 socket at rear mounting flange at front	DT3-30	990								
Display range*										
-40...80 °C		48								
0...120 °C		12								
0...160 °C		16								
0...200 °C		20								
0...300 °C		30								
Immersion tube length* l₁	Nominal length L = l₁ + 35 mm									
100 mm	135 mm	100								
160 mm	195 mm	160								
250 mm	285 mm	250								
400 mm	435 mm	400								
Connection type*										
Connection type A, plain immersion tube		1								
Connection type AK, adjustable compression fitting		9								
Thread type*										
None		0								
Connection type AKa, adjustable compression fitting (male thread)		2								
Connection type AKi, adjustable compression fitting (female thread)		3								
Connection thread*										
Without - plain immersion tube		0								
G $\frac{1}{4}$		L								
G $\frac{1}{2}$		2								
G $\frac{3}{4}$		3								
M20 x 1.5		7								
M27 x 2		9								
Immersion tube material*	Connection thread material*									
Stainless steel 1.4571	None	1								
Stainless steel 1.4571	Stainless steel 1.4571	3								
Immersion tube diameter										
8 mm		0								
6 mm		1								
Connecting cable*										
None									0	
Cable length 1 m**									1	
Cable length 3 m**									3	
Cable length 5 m**									5	
Cable length 10 m**									A	
Special features*										
None										0
4...20 mA analog output (pre-programmed to display range)***										3
Alarm output (freely programmable in display range)***										5
Shatter-proof plastic front screen (FDA version)										2
Example order number	961	48	100	1	0	0	1	0	0	0

* Other specifications are available on request

** DT3-10, DT3-20, DT3-30

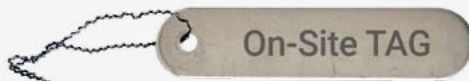
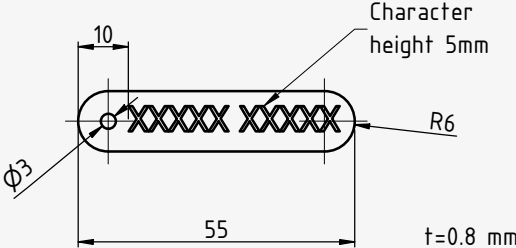
*** Not available for DT3-20

Article numbers

BEST
SELLER

Type	Order number
DT3 Immersion tube routed to the rear (axial), display range 0...60 °C l ₁ = 100 mm, adjustable compression fitting, thread type: none Connection thread M18 x 1.5, Stainless steel 1.4571, immersion tube diameter 8 mm, connecting cable: none, 4...20 mA analog output	961 16 100 9 3 6 3 0 0 3

Accessories

Accessories	Article number
<p>Measuring point designation Laser-inscribed stainless steel plate with fixing wire for easy attachment to measuring points</p> <ul style="list-style-type: none"> → Scope of delivery: Designation plate inscribed according to specification and enclosed fixing wire (sealing wire) → Fastening: Wire (included in delivery), alternatively sealing, cable ties or similar (not included in delivery) → Materials: Plate stainless steel 1.4571, wire stainless steel → Dimensions: Plate 55 x 10 x 0.8 mm, wire length 180 mm → Inscription: one-sided, single-line, max. 11 characters, character height 5 mm, designation width max. 40 mm, letters, numbers, symbols, barcodes, QR codes → Transmission of designations: digital list, file formats Excel, Word or CSV  	<p>ONSITETAG</p>