

Industrial thermometer type 271 / 291 BF

Vibration damped version // Aluminium gold-coloured anodised

291 BF



Highlights

- For use in applications subject to strong vibrations, e.g. on large diesel engines
- Glass insert glued in nickel-plated steel tube spring-mounted in the casing
→ Highest possible resistance to separation of thermometric column
- Lifetime warranty*
- Completely without electrical power supply
- Scale ranges 0...100 °C and 0...200 °C

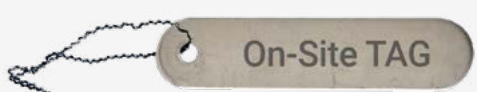
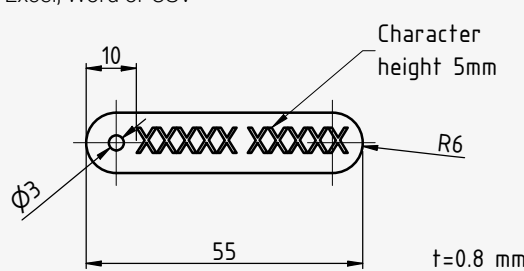
* Except glass breakage and improper installation.

Article numbers

Order code								
Version								
Gold-coloured, straight, nominal size 150 mm	291							
Gold-coloured, straight, nominal size 200 mm	271							
Immersion tube type BF								
Insert spring-mounted		BF						
Display ranges								
0...100 °C			10					
0...200 °C			20					
Scale								
Celsius °C				1				
Thermometric filling liquid								
Blue filling					1			
Immersion tube installation lengths (l1)								
63 mm						063		
100 mm						100		
160 mm						160		
Process connection								
G½							2	
Immersion tube material								
Brass								1
Example order number	291	BF	10	1	1	063	2	1

Further options on request.

Accessories

Accessories	Article number
<p>Measuring point designation Laser-inscribed stainless steel plate with fixing wire for easy attachment to measuring points → Scope of delivery: Designation plate inscribed according to specification and enclosed fixing wire (sealing wire) → Fastening: Wire (included in delivery), alternatively sealing, cable ties or similar (not included in delivery) → Materials: Plate stainless steel 1.4571, wire stainless steel → Dimensions: Plate 55 x 10 x 0.8 mm, wire length 180 mm → Inscription: one-sided, single-line, max. 11 characters, character height 5 mm, designation width max. 40 mm, letters, numbers, symbols, barcodes, QR codes → Transmission of designations: digital list, file formats Excel, Word or CSV</p>  	<p>ONSITETAG</p>