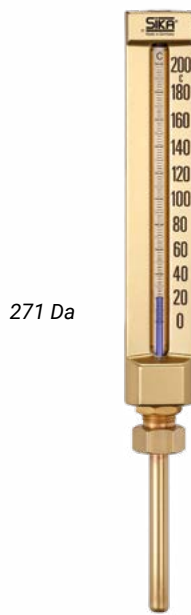


Industrial thermometers type 271 Da, 272 Da, 271 Dc, 272 Dc

Union nut // Nominal size 200 // Aluminium anodized



271 Da



271 Dc



Highlights

- Accuracy according to DIN 16195
- No aging - no moving parts and no mechanical wear
- Lifetime warranty*
- Completely without electrical auxiliary energy

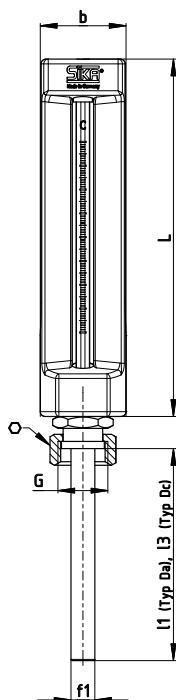
Technical data				
Type	271 Da	272 Da	271 Dc	272 Dc
Standard	DIN 16189 C, C1, DIN 16190 S, S1 and DIN 16191 C, C1		DIN 16189 F	
Version	Straight	Angle 90°	Straight	Angle 90°
Dimensions Housing	200 x 36 mm			
Measuring range according to DIN	Between -30...250 °C			
Error limits according to DIN 16195	-30...100 °C = 2 °C 0...120 °C = 2 °C 0...200 °C = 4 °C			
Medium / Application	Liquid and gaseous media			
Immersion tube length	Between 89...430 mm			
Immersion tube diameter	Ø 10 mm		Ø 6.5 mm	
Process connection	union nut G½, G¾, M20 x 1.5, M27 x 2		union nut M24 x 1.5	
Pressure rating**	→ Immersion tube brass, brazed PN 16 → Immersion tube steel or stainless steel, welded PN 35			
Medium temperature	See selected measurement range			
Ambient temperature	-20...60 °C			
Storage temperature	-40...100 °C			

* Except glass breakage and improper installation.

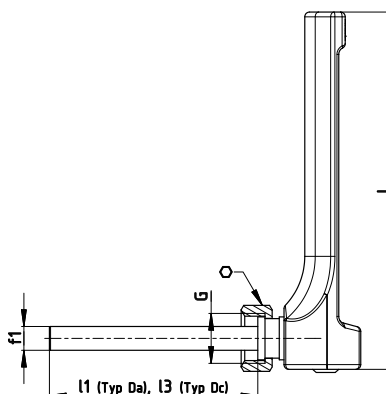
** Non-binding guideline - For higher pressure loads, additional protection tubes have to be used.

Technical drawings // Dimensions

Type 271 Da / 271 Dc



Type 272 Da / 272 Dc



Dimensions [mm]

Type	L	f ₁	b	l ₁	G / ∅ Width across flats*
271 Da	200	∅ 10	36	see order code	G ¹ / ₂ / SW27
272 Da					M20 x 1.5 / SW27
271 Dc		∅ 6.5			G ³ / ₄ / SW32
272 Dc					M27 x 2 / SW32
					M24 x 1.5 / SW32

* Only type 271 Da / 272 Da

Materials

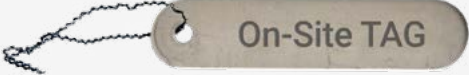
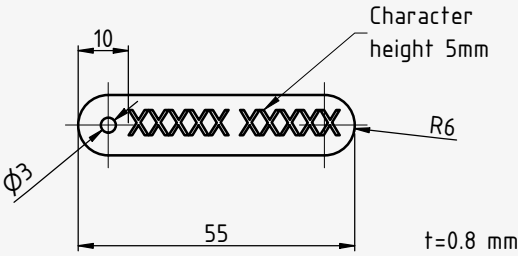
Material	
Not in contact with media	
Housing	Warm pressed aluminium part, gold anodized
Thermometer capillary	Prismatic capillary tube of solid glass, bar-shaped, diameter approx. ∅ 6 mm, scale permanently burnt in
Thermometer filling → Blue	Petroleum
In contact with media	
Process connection	see immersion tube material
Immersion tube material → Standard → Optional	Brass, brazed Stainless steel, welded

Article numbers

Order code									
Version									
Straight	271								
Angle 90 °	272								
Immersion tube type									
Type Da		3							
Type Dc		5							
Display ranges									
-30...50 °C			35						
0...60 °C			06						
0...100 °C			10						
0...120 °C			12						
0...160 °C			16						
0...200 °C			20						
0...250 °C			25						
Scale									
Celsius °C						1			
Celsius and Fahrenheit (°C + °F)						2			
Thermometer filling									
Blue							1		
Immersion tube length (I1)				Immersion tube type					
union nut G½, M20 x 1.5 (SW27)				Da					
89 mm									089
126 mm									126
186 mm									186
276 mm									276
426 mm									426
union nut G¾, M27 x 2 (SW32)									
93 mm									093
130 mm									130
190 mm									190
280 mm									280
430 mm									430
Immersion tube length match protection tubes according to DIN 43772 form 4				Dc					
155 mm									155
215 mm									215
275 mm									275
295 mm									295
355 mm									355
415 mm									415
Process connection (union nut)									
G½ / SW27				Da					2
M20 x 1.5 / SW27									7
G¾ / SW32									3
M27 x 2 / SW32									9
M24 x 1.5 / SW32				Dc					8
Immersion tube material									
Standard: Da = fitting and tube: brass, Dc = fitting: brass / tube: stainless steel								A	
Option: Only Da = fitting and tube: stainless steel								C	
Example order number		271	3	35	1	1	089	2	A

If required please ask for our specification sheet „Immersion tube material“

Accessories

Accessories	Article number
<p>Measuring point designation Laser-inscribed stainless steel plate with fixing wire for easy attachment to measuring points</p> <ul style="list-style-type: none">→ Scope of delivery: Designation plate inscribed according to specification and enclosed fixing wire (sealing wire)→ Fastening: Wire (included in delivery), alternatively sealing, cable ties or similar (not included in delivery)→ Materials: Plate stainless steel 1.4571, wire stainless steel→ Dimensions: Plate 55 x 10 x 0.8 mm, wire length 180 mm→ Inscription: one-sided, single-line, max. 11 characters, character height 5 mm, designation width max. 40 mm, letters, numbers, symbols, barcodes, QR codes→ Transmission of designations: digital list, file formats Excel, Word or CSV  	<p>ONSITETAG</p>