

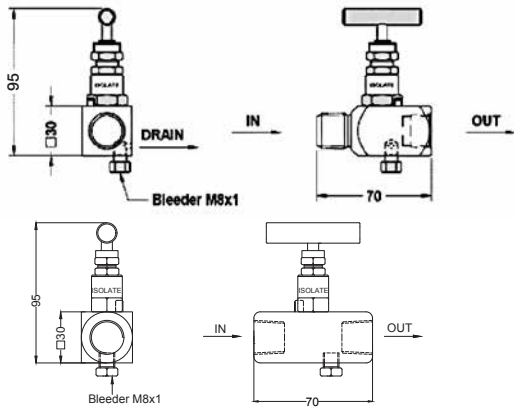
## Valvole e manifolds

## Valves and manifolds

### GA82

**Tipo:** valvola a spillo ricavata da barra  
**Materiale:** acciaio al carbonio; AISI 316  
**Connessioni:** 1/2" NPT o GAS  
**Connessioni spurgo:** M8x1; 1/4" NPT  
**Impiego:** petrolio, idrocarburi, acidi compatibili, ammoniaca  
**Pressione massima:** 6000 PSI.

**Type:** barstock type needle valve  
**Material:** carbon st. st.; st. st. 316  
**Connections:** 1/2" NPT or BSP  
**Drain connection:** M8x1 ; 1/4" NPT  
**Use:** oil, hydrocarbons, compatible acids, ammonia  
**Max pressure:** 6000 PSI.



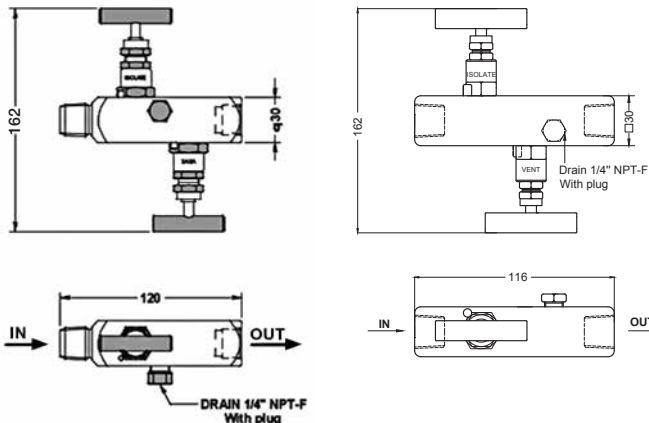
IN	OUT	Materiale / Material	Tenuta / Packing
1/4" NPTM/F	1/4" NPTF	carbon steel	Graphoil
1/4" NPTM/F	1/4" NPTF	carbon steel	PTFE
1/2" NPTM/F	1/2" NPTF	carbon steel	Graphoil
1/2" NPTM/F	1/2" NPTF	carbon steel	PTFE

IN	OUT	Materiale / Material	Tenuta / Packing
1/4" NPTM/F	1/4" NPTF	AISI 316L	Graphoil
1/4" NPTM/F	1/4" NPTF	AISI 316L	PTFE
1/2" NPTM/F	1/2" NPTF	AISI 316L	Graphoil
1/2" NPTM/F	1/2" NPTF	AISI 316L	PTFE
1/2" GASM/F	1/2" GASM	AISI 316L	PTFE

### GA82MS

**Tipo:** Manifold a 2 valvole ricavato da barra  
**Materiale:** acciaio al carbonio; AISI 316  
**Connessioni:** 1/2" NPT o GAS  
**Connessioni spurgo:** 1/4" NPT  
**Impiego:** petrolio, idrocarburi, acidi compatibili, ammoniaca  
**Pressione massima:** 6000 PSI.

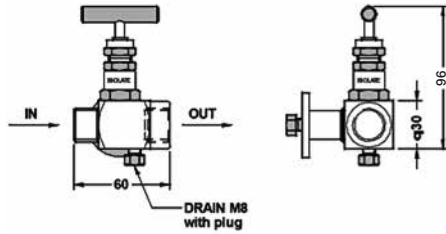
**Type:** barstock type 2 valve manifold  
**Material:** carbon st. st.; st. st. 316  
**Connections:** 1/2" NPT or BSP  
**Drain connection:** 1/4" NPT  
**Use:** oil, hydrocarbons, compatible acids, ammonia  
**Max pressure:** 6000 PSI.



IN	OUT	Materiale / Material	Tenuta / Packing
1/2" NPTM	1/2" NPTF	carbon steel	Graphoil
1/2" NPTM	1/2" NPTF	carbon steel	PTFE
1/2" NPTM	1/2" NPTF	AISI 316L	Graphoil
1/2" NPTM	1/2" NPTF	AISI 316L	PTFE
1/2" GASM	1/2" GASF	carbon steel	Graphoil
1/2" NPTF	1/2" NPTF	carbon steel	PTFE
1/2" GASM	1/2" GASF	AISI 316L	Graphoil
1/2" NPTF	1/2" NPTF	AISI 316L	PTFE

### GA83

**Tipo:** valvola a spillo ricavata da barra con flangia per manometro campione  
**Materiale:** acciaio al carbonio; AISI 316  
**Connessioni:** 1/2" NPT o GAS  
**Connessioni spurgo:** M8x1; 1/4" NPT  
**Impiego:** petrolio, idrocarburi, acidi compatibili, ammoniaca  
**Pressione massima:** 6000 PSI.

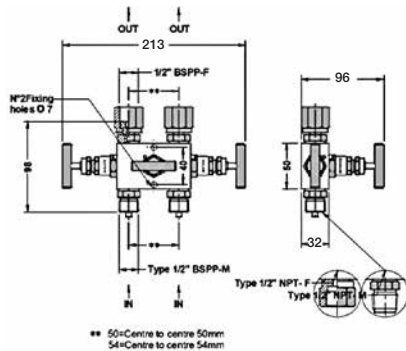


**Type:** barstock type needle valve with flange for sample gauge  
**Material:** carbon st. st.; st. st. 316  
**Connections:** 1/2" NPT or BSP  
**Drain connection:** M8x1; 1/4" NPT  
**Use:** oil, hydrocarbons, compatible acids, ammonia  
**Max pressure:** 6000 PSI.

IN	OUT	Materiale / Material	Tenuta / Packing
1/2" GASM	1/2" GASF	carbon steel	Graphoil
1/2" GASM	1/2" GASF	carbon steel	PTFE
1/2" GASM	1/2" GASF	AISI 316L	Graphoil
1/2" GASM	1/2" GASF	AISI 316L	PTFE

### GA823

**Tipo:** Manifold a 3 valvole da barra per montaggio diretto  
**Materiale:** acciaio al carbonio; AISI 316  
**Connessioni lato processo:** 1/2" NPT o GAS  
**Connessioni lato strumento:** 1/2" GAS F girevoli  
**Connessioni spurgo:** 1/4" NPT  
**Interasse attacchi:** 50 o 54 mm  
**Impiego:** petrolio, idrocarburi, acidi compatibili, ammoniaca  
**Pressione massima:** 6000 PSI.

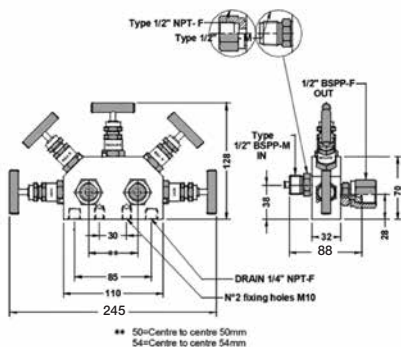


**Type:** barstock type 3 valve manifold for direct mounting  
**Material:** carbon st. st.; st. st. 316  
**Process side connections:** 1/2" NPT or BSP  
**Instrument side connections:** 1/2" BSP F swivel  
**Drain connection:** 1/4" NPT  
**Inter-axes connection:** 50 or 54 mm  
**Use:** oil, hydrocarbons, compatible acids, ammonia  
**Max pressure:** 6000 PSI.

IN	OUT	Materiale / Material	Tenuta / Packing
1/2" GASM	1/2" GASF	carbon steel	Graphoil
1/2" GASM	1/2" GASF	carbon steel	PTFE
1/2" GASM	1/2" GASF	AISI 316L	Graphoil
1/2" GASM	1/2" GASF	AISI 316L	PTFE
1/2" NPTM	1/2" GASF	carbon steel	Graphoil
1/2" NPTM	1/2" GASF	carbon steel	PTFE
1/2" NPTF	1/2" GASF	AISI 316L	Graphoil
1/2" NPTF	1/2" GASF	AISI 316L	PTFE

### GA825

**Tipo:** Manifold a 5 valvole da barra per montaggio diretto  
**Materiale:** acciaio al carbonio; AISI 316  
**Connessioni lato processo:** 1/2" NPT o GAS  
**Connessioni lato strumento:** 1/2" GAS F girevoli  
**Connessioni spurgo:** 1/4" NPT  
**Interasse attacchi:** 50 o 54 mm  
**Impiego:** petrolio, idrocarburi, acidi compatibili, ammoniaca  
**Pressione massima:** 6000 PSI.



**Type:** barstock type 5 valve manifold for direct mounting  
**Material:** carbon st. st.; st. st. 316  
**Process side connections:** 1/2" NPT or BSP  
**Instrument side connections:** 1/2" BSP F swivel  
**Drain connection:** 1/4" NPT  
**Inter-axes connection:** 50 or 54 mm  
**Use:** oil, hydrocarbons, compatible acids, ammonia  
**Max pressure:** 6000 PSI.

IN	OUT	Materiale / Material	Tenuta / Packing
1/2" GASM	1/2" GASF	carbon steel	Graphoil
1/2" GASM	1/2" GASF	carbon steel	PTFE
1/2" GASM	1/2" GASF	AISI 316L	Graphoil
1/2" GASM	1/2" GASF	AISI 316L	PTFE
1/2" NPTM	1/2" GASF	carbon steel	Graphoil
1/2" NPTM	1/2" GASF	carbon steel	PTFE
1/2" NPTF	1/2" GASF	AISI 316L	Graphoil
1/2" NPTF	1/2" GASF	AISI 316L	PTFE

**COME ORDINARE:**

Pregho specificare: modello, attacco, eventuali opzioni.  
**Esempio:** modello GA82, 1/2"NPTM

**HOW TO ORDER:**

Please specify: model, connection, options if any.  
**Example:** model GA82, 1/2"NPTM