

SolarTemp® // -40...650 °C



850

BEST
SELLER

Your advantages

Series	850
	<ul style="list-style-type: none"> • No cabling or battery change necessary → Supply via integrated solar cell • Robust mechanical construction → Reliable and long-lasting operation • Insensitive to electromagnetic interference → Additional EMC shielding • Optional integrable transmitters → Simple integration into process control system • Two separate measuring circuits and continuous self-test → Maximum operational reliability

Technical data

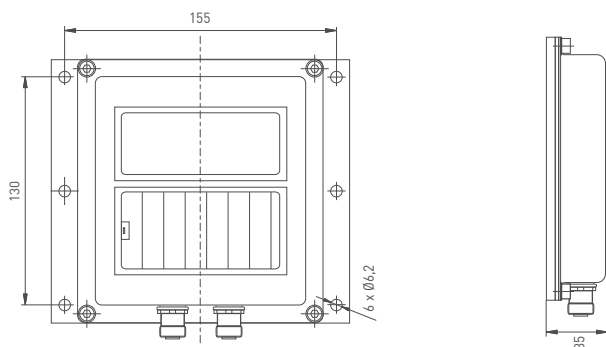
Version	Straight
Dimensions	
→ Housing	140 x 150 x 30 (W x H x D)
→ With mounting plate	170 x 150 x 35 (W x H x D)
Measuring range	-60...650 °C
Medium / Application	Liquid and gaseous media
Display	3½ digit, 7 segment LCD, 25 mm high
Resolution	0.1 K in the range <200 °C 1 K in the range >200 °C
Measuring rate	3 s
Medium temperature	See selected measuring range
Ambient temperature	5...60 °C
Storage temperature	5...60 °C
Degree of protection EN 60529	IP65

Approvals

Pending:
EU RO Mutual Recognition Type Approval Certificate
(Covers: ABS, BV, CCS, CRS, DNV GL, IRS, KR, LR, ClassNK,
PRS, RINA, RS)

Electrical data

Measuring element	Pt1000 / 2-wire / Class B
Accuracy	±1 % of range ±1 digit
Electrical connection	4-pin plug connector M12 x 1
Supply voltage	Solar cell, 50 lux
Analogue output	
Current signal	4...20 mA / 2-wire (loop supply 15...26 VDC)
Scaling	Measuring range
Signal error	Error signal according to NAMUR NE43
Burden	Max. 500 Ω



Material

Not in contact with medium

Housing Powder-coated steel, glass front window

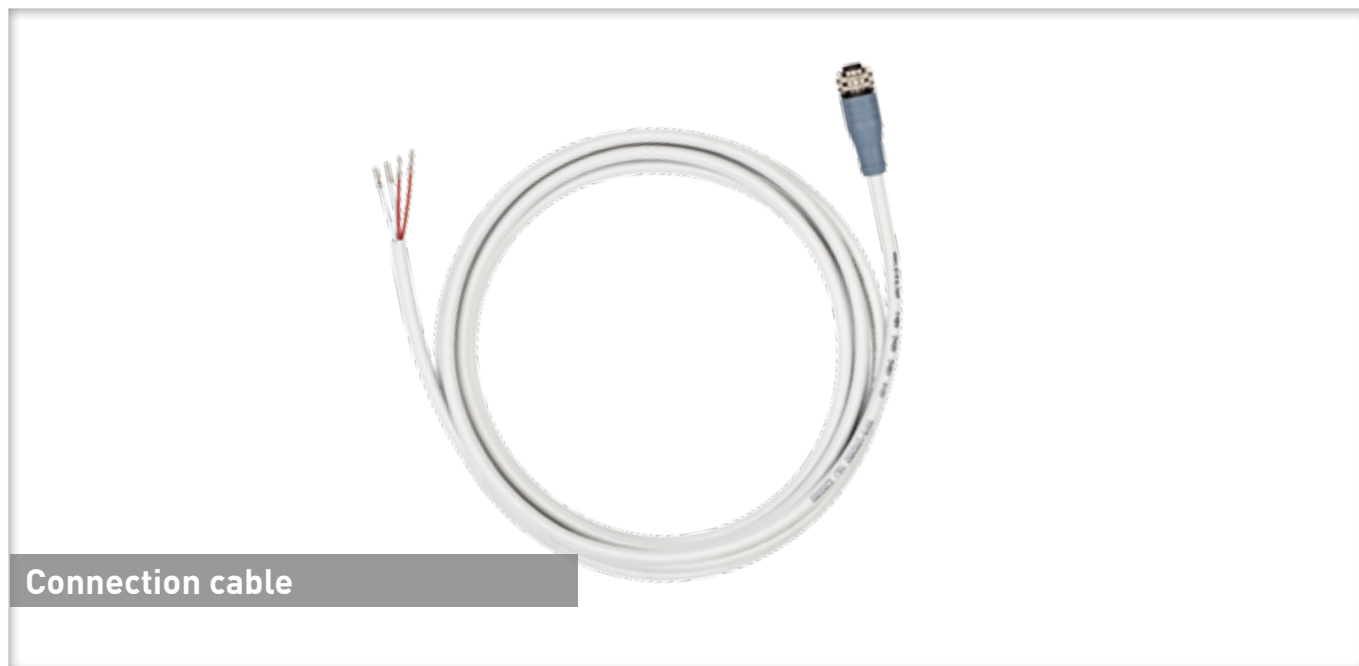
Order code



Type	Display range	Order number
Standard version	-60...650 °C	85065P54
Transmitter version	4...20 mA 0...600 °C	85065P53360
Transmitter version	4...20 mA 0...300 °C	85065P53330

BEST SELLER

Type	Order number
850	Standard version, -60...650 °C
	Transmitter version, 4...20 mA, 0...600 °C
	Transmitter version, 4...20 mA, 0...300 °C

Accessories



Order code			
Accessories		Length	Order number
	Sensor cable	3 m	XPV108
	Connection cable with cable plug M12 x 1, 4 pin version, shielded	5 m	XPV109
		10 m	XPV110
	Cable: FEP cable 4 x 0.5 mm ²	15 m	XPV158
	Transmitter cable	10 m	XPV150
	Connection cable with cable socket M12 x 1, 4 pin version, shielded	15 m	XPV167
	Cable: FEP cable 4 x 0.5 mm ²		

