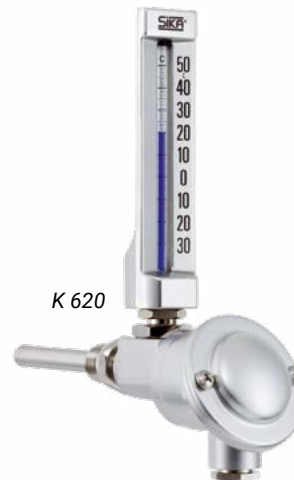


# KombiTemp® // Head type B

-60...200 °C



K 410



K 620



## Highlights

- High measurement reliability due to two independent measuring points
- Fast detection of malfunctioning probes or dial thermometers in the system to be checked
- Low installation costs, advantages of the industrial thermometer

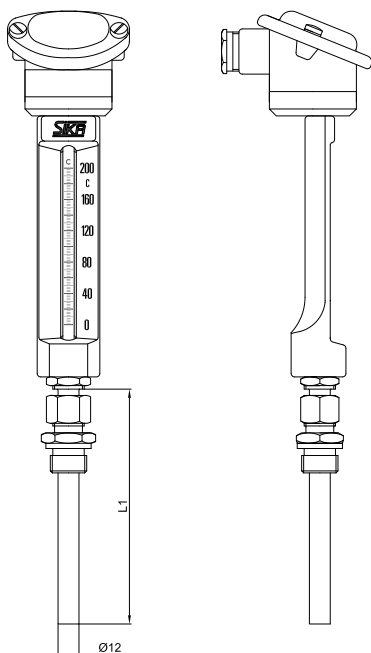
Technical data	
<b>Version</b>	Straight      90° angle
<b>Dimensions housing</b>	150 x 36 mm
<b>Measuring range</b>	-60...200 °C
<b>Medium / Application</b>	Liquid and gaseous media
<b>Immersion tube length</b>	
→ Clamp connection	135 mm or 160 mm
→ Fixed thread connection	63 mm, 100 mm or 160 mm
<b>Immersion tube diameter</b>	12 mm
<b>Process connection</b>	
→ Clamp connection	G½
→ Fixed thread connection	G½, G¾ or M20 x 1.5
<b>Nominal pressure</b>	
→ Immersion tube brass	PN 16
→ Immersion tube stainless steel	PN 40
<b>Thermometer capillary</b>	Prismatic, Ø approx. 6 mm
<b>Thermometer filling</b>	
→ Red	-60...40 °C
→ Blue	-30...200 °C
<b>Medium temperature</b>	Depending on measuring range
<b>Ambient temperature</b>	-20...60 °C (only for indoor use)
<b>Storage temperature</b>	-25...60 °C
<b>Degree of protection EN 60529</b>	IP65

Electrical data	
<b>Measuring element</b>	1 x Pt100 / 3-wire 2 x Pt100 / 3-wire 1 x Pt1000 / 2-wire 1 x NiCr-Ni (type K) 2 x NiCr-Ni (type K)
<b>Accuracy</b>	Class B Class 1
<b>Electrical connection</b>	Head type B (DIN 43729)

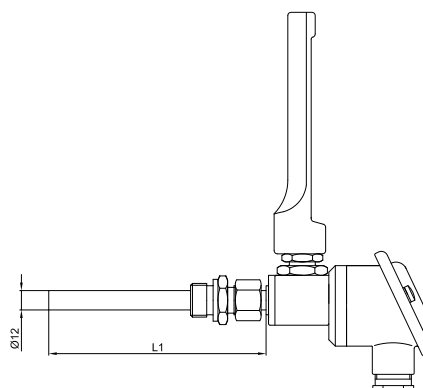
Options	
<b>For type</b>	<b>See order code</b>
<b>K 410 / K 420 / K 610 / K 620</b>	Analogue output 4...20 mA for 1 x Pt100

# Technical drawings

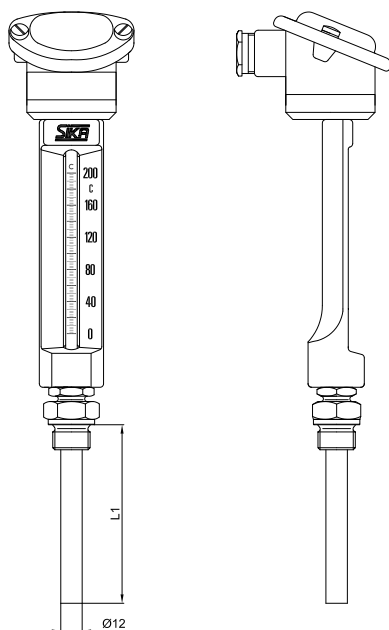
K 410



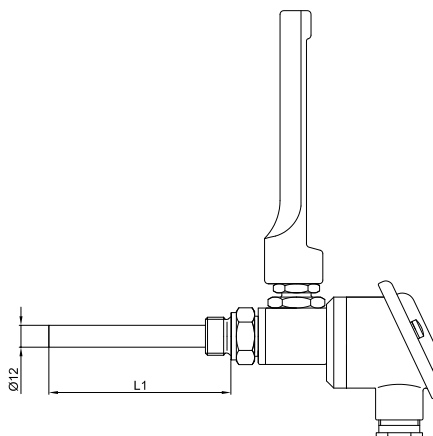
K 610



K 420



K 620



## Materials


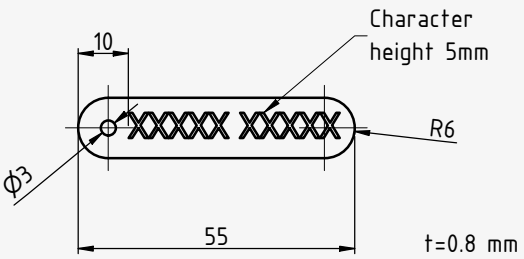
<b>Material</b>	
<b>Not in contact with medium</b>	
<b>Housing</b>	Warm pressed aluminium part, silver anodized
<b>In contact with medium</b>	
<b>Process connection</b>	Brass or stainless steel 1.4571
<b>Immersion tube</b>	Brass or stainless steel 1.4571

# Article numbers

Order code								
<b>Type</b>								
<b>K 410</b>								
Straight, clamp connection	K410							
<b>K 420</b>								
Straight, fixed thread connection	K420							
<b>K 610</b>								
Angle 90 °, clamp connection	K610							
<b>K 620</b>								
Angle 90 °, fixed thread connection	K620							
<b>Display ranges</b>								
-60...40 °C							64	
-30...50 °C							35	
0...60 °C							06	
0...100 °C							10	
0...120 °C							12	
0...160 °C							16	
0...200 °C							20	
<b>Immersion tube length L<sub>1</sub></b>								
				<b>adjusted immersion depth</b>				
<b>Clamp connection (K 410 / K 610)</b>								
135 mm			50 mm			135		
160 mm			73 mm			160		
<b>Fixed thread connection (K 420 / K 620)</b>								
63 mm						063		
100 mm						100		
160 mm						160		
<b>Process connection</b>								
<b>Clamp connection (K 410 / K 610)</b>								
G½							2	
<b>Fixed thread connection (K 420 / K 620)</b>								
G½							2	
G¾							3	
M20 x 1.5							7	
<b>Immersion tube material</b>								
Brass							1	
Stainless steel							3	
<b>Electrical temperature sensor</b>								
1x Pt100 / 3-wire / class B							1	
2x Pt100 / 3-wire / class B							4	
1x Pt1000 / 2-wire / class B							7	
1x NiCr-Ni (type K)							2	
2x NiCr-Ni (type K)							5	
<b>Head transmitter</b>								
Without							0	
4...20 mA*							1	
<b>Example order number</b>	<b>K410</b>	<b>64</b>	<b>135</b>	<b>2</b>	<b>1</b>	<b>1</b>	<b>0</b>	

\* Only for 1 x Pt100 / 3-wire / class B

# Accessories

Accessories	Article number
<p><b>Measuring point designation</b> Laser-inscribed stainless steel plate with fixing wire for easy attachment to measuring points</p> <ul style="list-style-type: none"><li>→ <b>Scope of delivery:</b> Designation plate inscribed according to specification and enclosed fixing wire (sealing wire)</li><li>→ <b>Fastening:</b> Wire (included in delivery), alternatively sealing, cable ties or similar (not included in delivery)</li><li>→ <b>Materials:</b> Plate stainless steel 1.4571, wire stainless steel</li><li>→ <b>Dimensions:</b> Plate 55 x 10 x 0.8 mm, wire length 180 mm</li><li>→ <b>Inscription:</b> one-sided, single-line, max. 11 characters, character height 5 mm, designation width max. 40 mm, letters, numbers, symbols, barcodes, QR codes</li><li>→ <b>Transmission of designations:</b> digital list, file formats Excel, Word or CSV</li></ul>  	<p><b>ONSITETAG</b></p>