

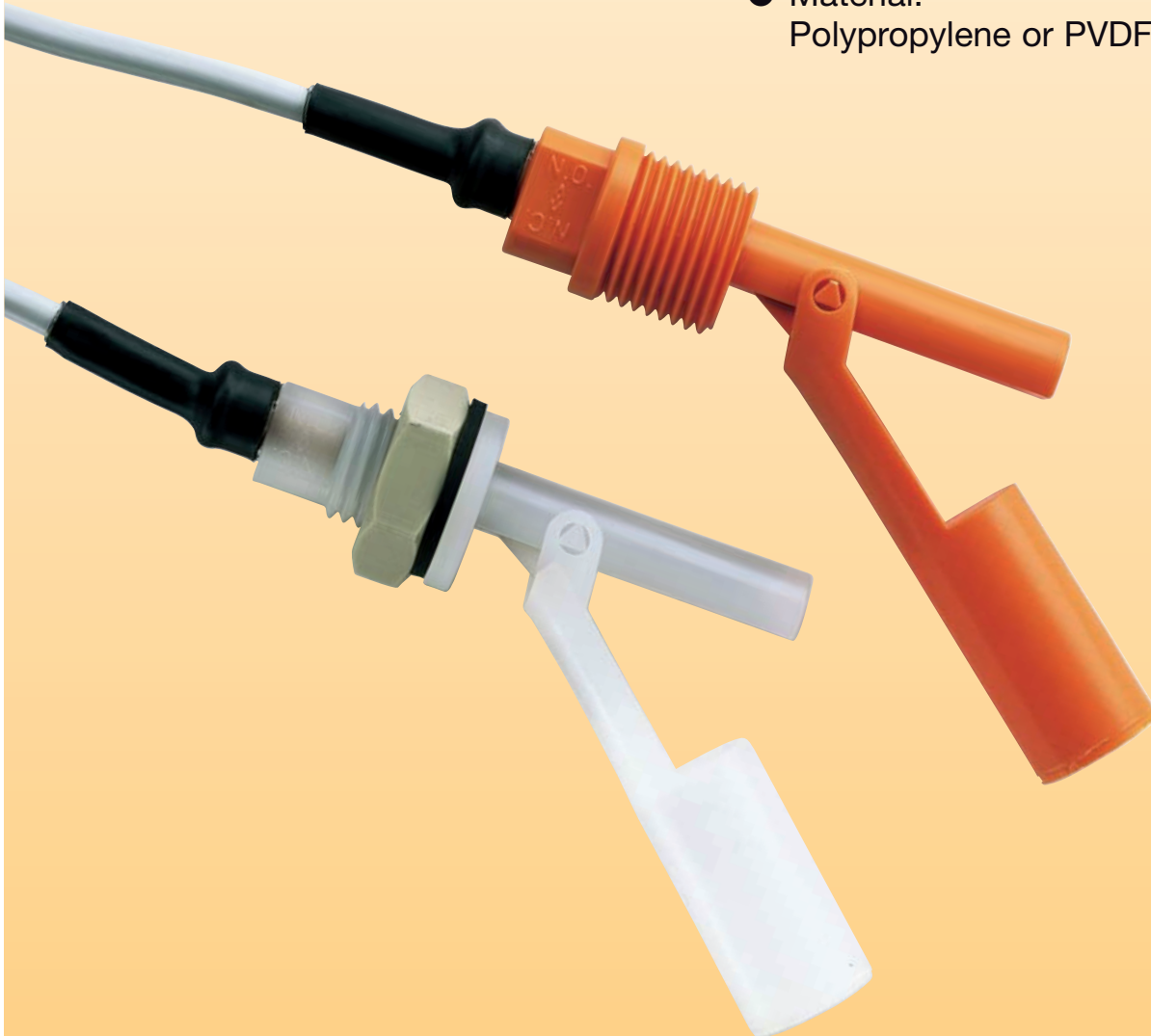


Plastic Level Switches



measuring
•
monitoring
•
analysing

- Pressure: max. 10 bar
- Temperature:
max. 100 °C
- Connection:
G 1/2, 1/2 NPT, M16
- Material:
Polypropylene or PVDF



JSP, s.r.o., Raisova 547, 506 01 Jičín, Czech Republic
Phone: +420 493 760 811, Fax: +420 493 760 820, e-mail: jsp@jsp.cz

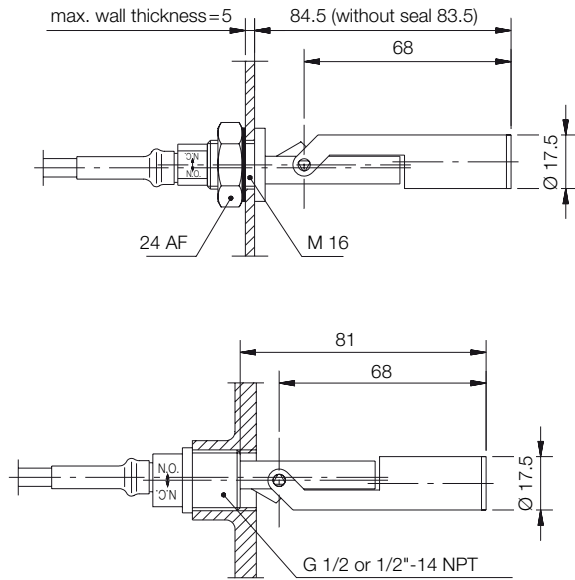
JSP Industrial Controls

www.jsp.cz

Description

The plastic level switch NKP is designed for economical control of liquids in vessels. Many industrial applications can be realized with two different plastic versions each with three different mountings. The switch is remarkable for its maintenance-free design, small dimensions and reed contacts with high switch capacity. The switch is mounted on the side of the vessel. A hinged plastic float with a magnet floats up and down through the liquid level. The encapsulated reed contact is operated by the magnet. The switching function (N/O contact / N/C contact) is determined by the installation position. The switching function is reversed by simply rotating the switch through 180°.

Dimensions



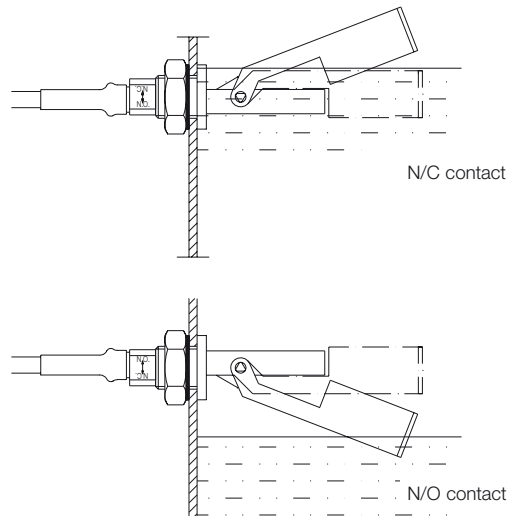
Order Details (Example: NKP-14011)

Model	Connection	Housing material	Cable
NKP-	1 = G 1/2	401 = Polypropylene 501 = PVDF	1 = 1 m PVC cable
	2 = 1/2 NPT		1.6 = 1.6 m PVC cable
	6 = M 16		3 = 3 m PVC cable
			Y = special length*

*Please specify in the clear text.

Technical Details

- Switch housing: NKP-14.., -24.., -64..: polypropylene
NKP-15.., -25.., -65..: PVDF
- Connections: NKP-1..: G 1/2
NKP-2..: 1/2 NPT
NKP-6..: M 16
- Float: NKP-14.., -24.., -64..: polypropylene
NKP-15.., -25.., -65..: PVDF
- Seal: NKP-6401: NBR
NKP-6501: FPM
alternative: EPDM
- Counter nut: NKP-6...: polypropylene
- Max. temperature: NKP-14.., NKP-24.., NKP-64..: 80°C
NKP-15.., NKP-25.., NKP-65..: 100°C
- Max. pressure: 10 bar
- Installation position: horizontal
(±30° from the horizontal plane)
- Contact components: N/O contact /N/C contact
(depending on the installation)
- Electr. connection: stranded cable AWG20, 2-core,
PVC, 1 m (PUR-cable and silicone cable upon request)
- Switch capacity: max. 230 V_{AC/DC}
max. 40 VA, max. 2 A
- Contact resistance: max. 80 mΩ
- Min. electric streng: 400 V_{DC} / 1 s
- Medium density: NKP-14.., -24.., -64..: > 0.6 kg/dm³
NKP-15.., -25.., -65..: > 0.95 kg/dm³
- Protection: IP 68



Applications

- Car washes
- Cleaning machines
- Plastic tanks