

MG series INCLINED LIQUID COLUMN MANOMETERS

Pressure / Depression

The MG range of inclined liquid column manometers, developed and manufactured by KIMO, measure slight variations in pressure, depression or differential pressure of air or gas. They are for use in the following applications : treatment of air, ventilation, air conditioning, heating, dust elimination...



KEY POINTS

- Zero adjustment by moving the slide strip
- Safety reservoir enabling momentaneous overshooting of the scale
- Integrated spirit level for adjusting horizontality
- Supplied with a white PVC support, two screws and two rawplugs, two 487 connectors and a bottle of AWS 10 liquid

MEASURING RANGE

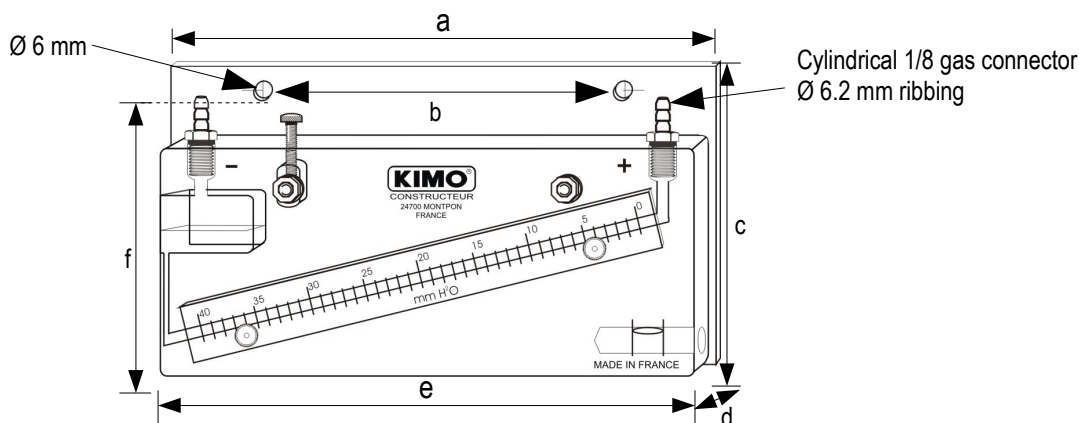
Reference	Measuring range*		Sensitivity scale For 1 mm CE or 10 PA	Resolution
	mm CE	Pascal		
MG 20	0 – 20	0 – 200	8 mm	0,5 mm CE or 5 Pa
MG 50	0 – 50	0 – 500	3 mm	1 mm CE or 10 Pa
MG 80	0 – 80	0 – 800	2.5 mm	1 mm CE or 10 Pa

* Also exists in DaPa

TECHNICAL FEATURES

Recommended range of use	From +5 to +30°C
Possible range of use	From -30 to +60°C
Maximum static pressure	6 bars
Manometer body	Transparent 15 mm thick Altuglas
Liquid column	Entirely bored in the solid block, Ø 4 mm
Graduated slide strip	Transparent Altuglas. Cross-section 20 X 2 mm
Zero adjustment	By moving the graduated slide strip, travel 20 mm. Fixed via milled, nickel-plated brass screw
Positioning	Horizontal positioning via integrated spirit level and milled, nickel-plated brass adjusting screw, vertical travel 12 mm.
Manometric liquid	AWS 10 red oil, density 0.87 at 15°C
Reservoir capacity	20 ml
Connection	Ø 5 X 8 mm semi-rigid crystal tube, on Ø 6,2 mm ribbed, nickel-plated brass connectors, 1/8 gas thread
Wall-mounted	With or without white PVC support

DIMENSIONS



Reference	MG 20	MG 50	MG 80
a	196 mm	178 mm	219 mm
b	128 mm	110 mm	151 mm
c	80 mm	117 mm	154 mm
d	25 mm	25 mm	25 mm
e	192 mm	174 mm	215 mm
f	55 mm	109 mm	129 mm
Weight	320 g	420 g	660 g

MOUNTING

1. **Mount** on a wall or a vertical partition wall with two maximum Ø 5 x 25 mm screws (supplied).
2. **Set horizontality** using the integrated level and the milled adjusting screw.
3. **Unscrew** the connector on the reservoir and **slowly pour the manometric liquid** to zero point on the graduation.
4. **Remount** the connector without overtightening.
5. **Connect** the manometer with the Ø 5 X 8 mm crystal tube to the pressure or depression source to be checked.

NOTE :
 For a **pressure** measurement.....Connect the crystal tube to the **right-hand connector (+)**
 For a **depression** measurement.....Connect the crystal tube to the **left-hand connector (-)**
 For a **differential pressure**.....Connect the highest pressure to the **right-hand connector (+)** and the lowest pressure to the **left hand connector (-)**

MAINTENANCE :

MG manometers require no special maintenance other than simply changing the reading liquid once a year.

www.kimo.fr



EXPORT DEPARTMENT
 Tel : + 33. 1. 60. 06. 69. 25 - Fax : + 33. 1. 60. 06. 69. 29
 e-mail : export@kimo.fr

Váš dodavatel:



JSP Měření a regulace
www.jsp.cz

JSP, s.r.o.
 Raisova 547
 506 01 Jičín

tel.: +420 493 760 811
 fax: +420 493 760 820
 e-mail: jsp@jsp.cz