

# POLYMETRON 9610 sc SILICA ANALYSER

## Applications

- Power



## Lower Maintenance, Less Downtime

Delivering reliable results that save you critical time and effort.

### 90 days of continuous runtime

Only two litres of reagent are required for the analyser to perform unattended for up to 90 days; twice as long as the previous analyser versions.

### Save time on maintenance

The industry's only pressurized reagent delivery system eliminates the frequent maintenance associated with pumps.

### Avoid downtime

Predictive diagnostic tools, including Hach's proprietary Prognosys technology, warning LEDs, and high-visibility notification screens let you avoid unplanned downtime.

### Verify easily with Hach Lab products so you don't waste time second-guessing

Grab Sample In and Grab Sample Out features allow quick analysis of a grab sample poured into the analyser, and facilitate taking a sample out of the analyser to verify in a lab test.

## Technical Data\*

<b>Measuring principle</b>	Colorimetric
<b>Measuring range</b>	0 - 5000 µg/L as SiO <sub>2</sub>
<b>Accuracy</b>	0 - 500 µg/L: ±1% or ±1 µg/L of reading, whichever is greater; 500 - 5000 µg/L: ±5% (Tested with Hach reagents)
<b>Repeatability</b>	±0.5 µg/L or ±1% of reading, whichever is greater
<b>Detection limit</b>	0.5 µg/L
<b>Response time</b>	Typically, 9.5 minutes at 25 °C; changes with temperature
<b>Reagent consumption</b>	2 L of each reagent every 90 days with 15 minute cycle time
<b>Operating temperature range</b>	5 - 45 °C
<b>Operating humidity</b>	5 - 95% relative humidity, non-condensing (indoor use only)
<b>Sample pressure</b>	0.14 - 6 bar (to Preset Pressure Regulator)
<b>Sample temperature</b>	5 - 50 °C
<b>Flow rate</b>	55 - 300 mL/min
<b>Number of channels</b>	1, 2, 4, 6; programmable sequence
<b>Grab sample</b>	Grab Sample In and Grab Sample Out capability
<b>Mounting</b>	Wall, panel or table

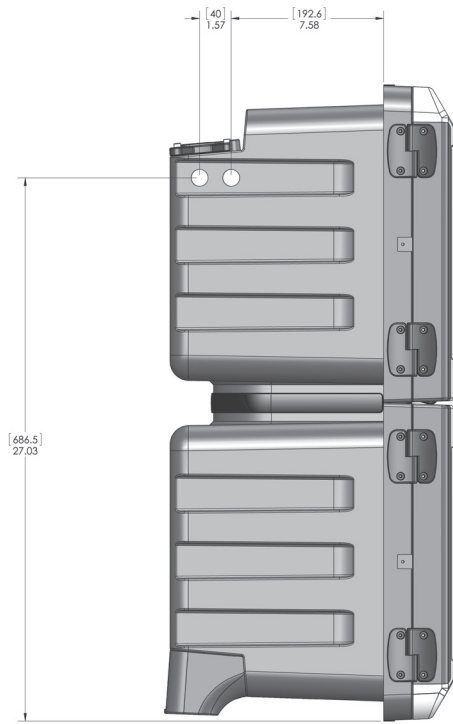
<b>Fitting</b>	Sample line and sample bypass drain: 6 mm (¼-in.) Air purge inlet: 6 mm (¼-in.) Chemical and case drains: 9.5 mm (3/8-in.)
<b>Power requirements (Voltage)</b>	100 - 240 VAC, 24 VDC
<b>Power requirements (Hz)</b>	50/60 Hz
<b>Output</b>	4 - 20 mA
<b>Dimensions (H x W x D)</b>	804 mm x 452 mm x 360 mm
<b>Enclosure waterproof rating</b>	IP56 / NEMA 4X
<b>Certifications</b>	CE (EN 61326-1: 2006; EN 61010-1: 2010; EN 60529: 1991, +A1:2000) KC (EN 61326-1: 2006) C-tick (EN 61326-1: 2006) cETLus (UL 61010-1: 2012; NEMA 250: 2003; CSA C22.2 No 61010-1: 2012)

\*Subject to change without notice.

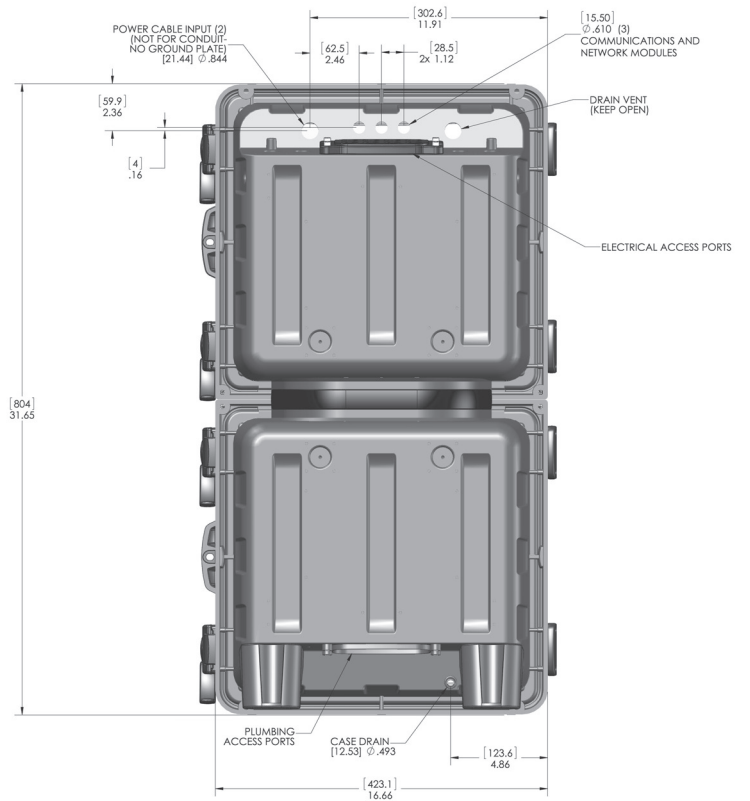
## Principle of Operation

Silica in the sample reacts with molybdate ions under acidic conditions to form silicomolybdic acid complexes. Addition of citric acid destroys the phosphate complexes. Amino acid reagent is then added to reduce the yellow silicomolybdic acid to an intense blue colour, which is proportional to the silica concentration. Test results are measured at 815 nm.

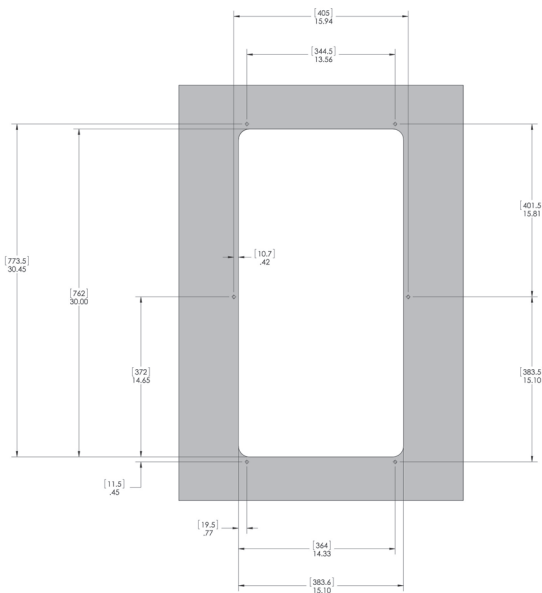
## Dimensions



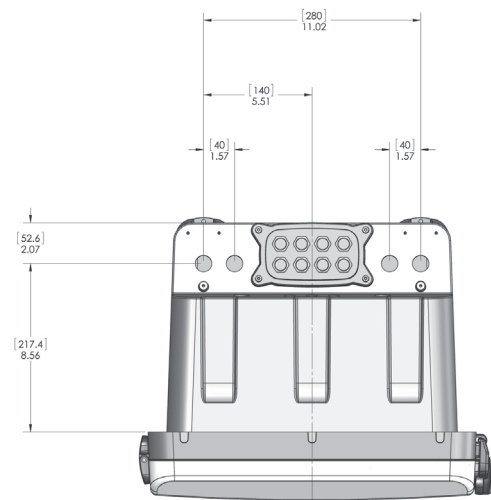
RIGHT SIDE VIEW



REAR VIEW



PANEL CUTOUT



TOP VIEW

## Order Information

### Instruments

<b>9610.KTO.S0.A1E</b>	Polymetron 9610 sc Silica Analyser, open chemistry, 1 channel, 100-240 VAC
<b>9610.KTO.S0.A2E</b>	Polymetron 9610 sc Silica Analyser, open chemistry, 2 channels, 100-240 V AC
<b>9610.KTO.S0.A4E</b>	Polymetron 9610 sc Silica Analyser, open chemistry, 4 channels, 100-240 VAC
<b>9610.KTO.S0.A6E</b>	Polymetron 9610 sc Silica Analyser, open chemistry, 6 channels, 100-240 VAC
<b>9610.KTO.S0.D1E</b>	Polymetron 9610 sc Silica Analyser, open chemistry, 1 channel, 24 VDC
<b>9610.KTO.S0.D2E</b>	Polymetron 9610 sc Silica Analyser, open chemistry, 2 channels, 24 VDC
<b>9610.KTO.S0.D4E</b>	Polymetron 9610 sc Silica Analyser, open chemistry, 4 channels, 24 VDC
<b>9610.KTO.S0.D6E</b>	Polymetron 9610 sc Silica Analyser, open chemistry, 6 channels, 24 VDC

*Each Analyser comes with a Hach reagents set for start up and up to 90 days of use.*

### Reagents

<b>2035601</b>	9610 sc Silica Reagent Set
<b>2035702</b>	9610 sc Reagent 1 Silica, 2 L
<b>2035802</b>	9610 sc Reagent 2 Silica, 2 L
<b>2035902</b>	9610 sc Standard 1 Silica, 2 L
<b>2036002</b>	9610 sc Reagent 3 Silica, Package
<b>2037502</b>	9610 sc Reagent 4 Silica, 2 L

### Accessories/Options

<b>9179800</b>	Power cord, Europe
<b>6786600</b>	Stainless steel sample adapter kit
<b>1757700</b>	Stainless steel sample cooler
<b>6792501</b>	Module kit, Modbus (SC200)
<b>6792601</b>	Profibus DP Module

### Be certain in your measurements with a first class Service Partner. Be confident with Hach Service.

By having regular on-site preventative maintenance and calibration, you maximise your measurement reliability and instrument uptime. Hach Service Programs give you full assurance that your instruments stay in compliance, and you stay within your budget.

#### Start-Up:

Commissioning, Instruction and Training of your operating personnel to ensure you get the best performance from your instrumentation from the first day you use it.

#### Service Agreement:

Hach offers a wide range of service agreements that can be tailored to you to help maximise your measurement reliability and instrument uptime.

*Contact us to get a service offering designed for you.*