

LED Process Displays – Codix 529



Your benefit

- Galvanic isolation with protection against incorrect polarity
- Autom. MIN/MAX value detection
- Freely programmable characteristic curve end points

Input range

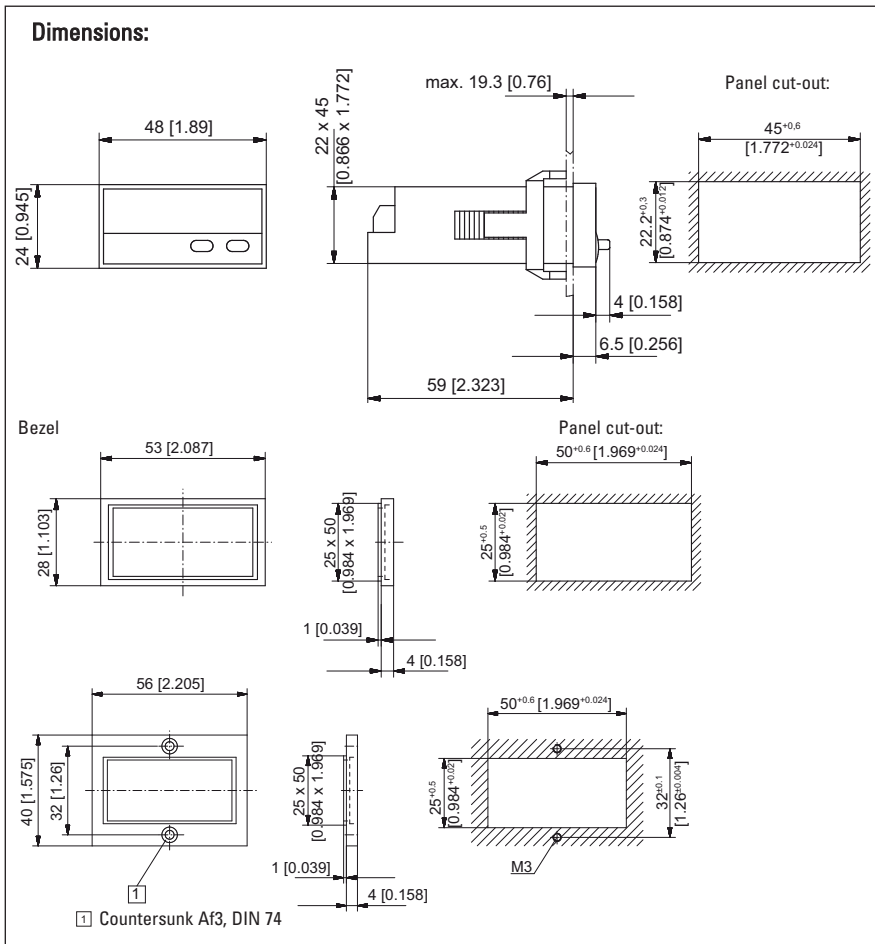
- 1 current measuring input,
- 1 voltage measuring input

More advantages

- Compact display for analogue standard signals
- Display range -19 999 ... 99 999 with leading zeros suppression
- Modern industrial design
- Input for Display-Hold

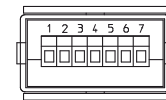
Technical data

Supply voltage:	10 ... 30 V DC, galvanically isolated with integrated protection against incorrect polarity	Input current measurement:	0 ... 20 mA, 4 ... 20 mA voltage drop max 1.5 V DC
Current consumption:	max. 50 mA	Input voltage measurement :	0 ... 10 V, 2 ... 10 V input resistance approx. 1 MΩ max. input signal level 30 V DC
Display:	5-digit display, red 7-segment LED's; height 8 mm [0.35"]	Control inputs:	high: 4 ... 30 V DC Display Hold low: 0 ... 2 V DC
Measuring rate:	2 measurements/second	Resolution:	14 bits
Data backup:	EEPROM	Accuracy:	< 0.1 % for the whole measuring range at an ambient temperature of 20 °C [68 °F]
Housing:	housing for control panel 48 x 24 mm [1.89 x 0.945"] acc. to DIN 43 700; RAL 7021, dark grey	Temperature drift:	< 70ppm/KAmbient
Ambient temperature:	-10 ... +50 °C [14 °F ... +122 °F]	Weight:	approx. 50 g [1.764 oz]
EMC:	Immunity to interference: EN55011 class B Emitted interference EN61000-6-2	Connections:	screw terminal, pitch 5.08 mm [0.2"], 7 pin
Protection:	IP65 (front)		



Connections:

- | | |
|-----------------|---------------------|
| 1 10 ... 30 VDC | 5 0 (4) ... 20 mA |
| 2 GND | 6 Analogue GND |
| 3 GND | 7 0 (2) ... 10 V DC |
| 4 Latch | |



Delivery includes:

- Digital display
- Panel mounting clip
- Bezel for clip mount,
- Panel cut-out 50 x 25 mm [1.969 x 0.984"]
- Bezel for screw mount,
- Panel cut-out 50 x 25 mm [1.969 x 0.984"]
- Gasket
- 1 set of self-adhesive symbols
- Multilingual operating instructions

Order Code:

Codix 529: 6.529.012.300*

Accessories see Chapter Accessories

* Standard stock models