

## LCD Frequency Meters – Codix 136



- Low-price and high efficiency
- Large 8 digit LCD display, height of the figures 8 mm [0.315"]
- Optional backlighting
- Input frequency range from 1 Hz ... 12 kHz
- Gate measuring method, gate time 1 second
- Accuracy 0.05%
- All versions for positive or negative counting edge
- Unified Codix design, suiting the extensive Codix family
- IP 65
- Screw terminals, RM 5 mm [0.197"]
- Lifetime of the battery approximately 8 years
- Frequency measurement without external voltage supply, pulses acquisition also possible via dry contact, thus usable in all conditions
- Ambient temperature -10 ... +60 °C [14 ... 140 °F]

### Technical data:

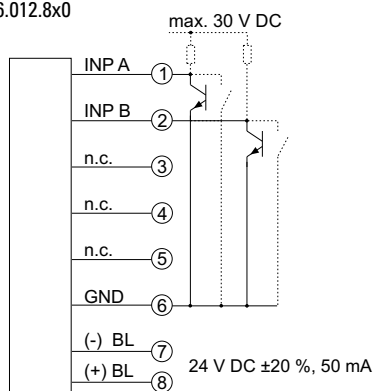
Power supply:	non-replaceable lithium battery: (lifetime approximately 8 years at 20 °C [68 °F])
Backlighting:	external electrical source 24 V DC +/-20 %, 50 mA
Display:	LCD, 8 digits, height of the figures 8 mm [0.315"]
Display range:	0 ... 9999999
Resolution:	1/sec (1 Hz)
EMC:	Emitted interference: EN55011 class B Immunity to interference: EN61000-6-2
Housing:	dark grey RAL 7021
Operating temperature:	-10 ... +55 °C [14 ... 131 °F]
Ambient temperature:	-10 ... +60 °C [14 ... 140 °F]
Storage temperature:	-20 ... +70 °C [-4 ... 158 °F]
Protection:	IP 65 front side
Weight:	approx. 50 g [1.764 oz]

### Counting inputs:

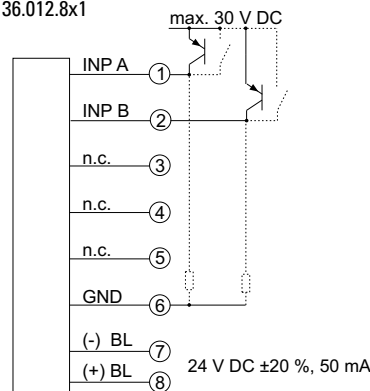
A. Counting input of the DC-versions (max. 30 V DC)	
Slow counting input:	max. 30 Hz NPN
Fast counting input:	max. 12 kHz (PNP), 7 kHz (NPN)
Switching level:	NPN: low: 0 ... 0.7 V, high: 3 ... 30 V DC PNP: low: 0 ... 0.7 V, high: 4 ... 30 V DC

### Connection diagram:

DC type:  
6.136.012.8x0

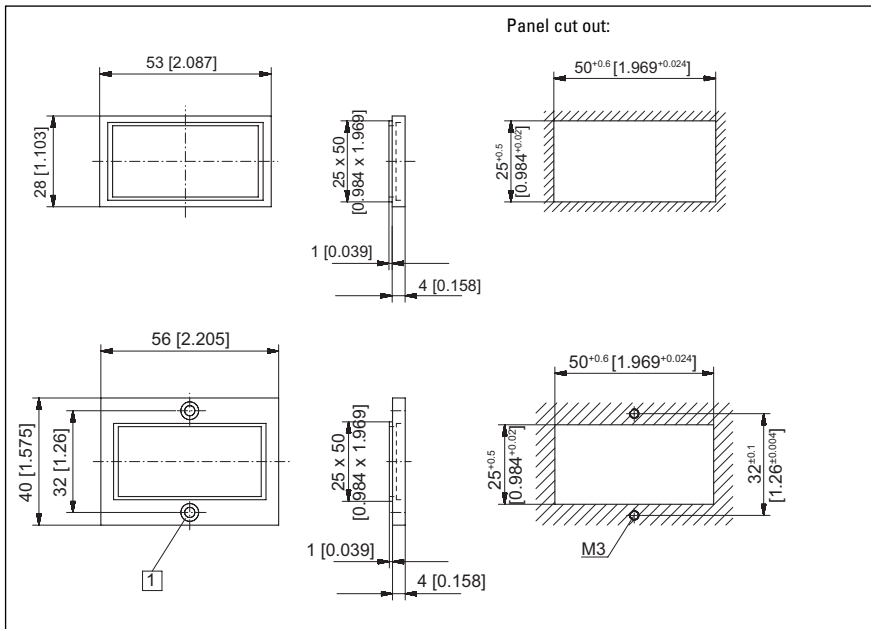
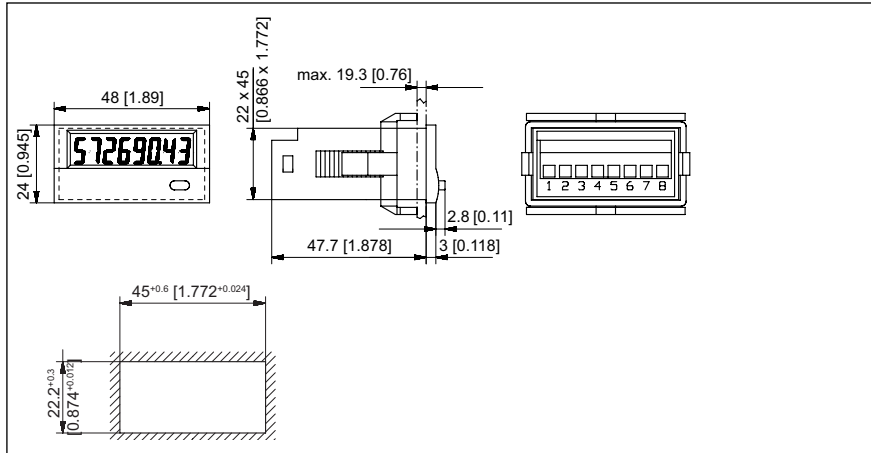


DC type:  
6.136.012.8x1



## LCD Frequency Meters – Codix 136

### Dimensions:



1 Countersunk Af3, DIN 74

### Delivery specification:

- Digital display
- Panel mounting clip
- Bezel for screw mounting 56 x 40 mm [2.205 x 1.575"], panel cut out 50 x 25 mm [1.969 x 0.984"]
- Bezel for clip mounting 53 x 28 mm [2.087 x 1.103"], panel cut out 50 x 25 mm [1.969 x 0.984"]
- Gasket
- Operating instructions

### Order code:

Type	Mode	Counting inputs					
		INP A			INP B		
6.136.012.8x0*	Tacho	0 ... 0.7 V DC	NPN	7 kHz	0 ... 0,7 V DC	NPN	30 Hz
6.136.012.8x1*	Tacho	4 ... 30 V DC	PNP	12 kHz	4 ... 30 V DC	PNP	30 Hz

X: 5 = No backlight\*      \*standard stock model  
 X: 6 = With backlight

Tachometers