

Micro Timers – HK 46 / HK 47



- 6- or 7-digit micro hour meters; displays 1/100 h
- Low cost
- High shock resistance
- Low power consumption; suitable for battery operation
- Small dimensions
- Magnified large figures
- Flush mount with integrated spring clip (snap in) (HK46.20 / HK47.20)
- PCB-mount (HK46.80 / HK 47.80)

- Solderable and wash proof (HK 47.80)
- Protection to IP 66
- Long service life

Applications:

time registration, maintenance intervals for measuring instruments (respiration units, oxygen, dialysis), UV-lamps, machines panel indicators in vehicles ...

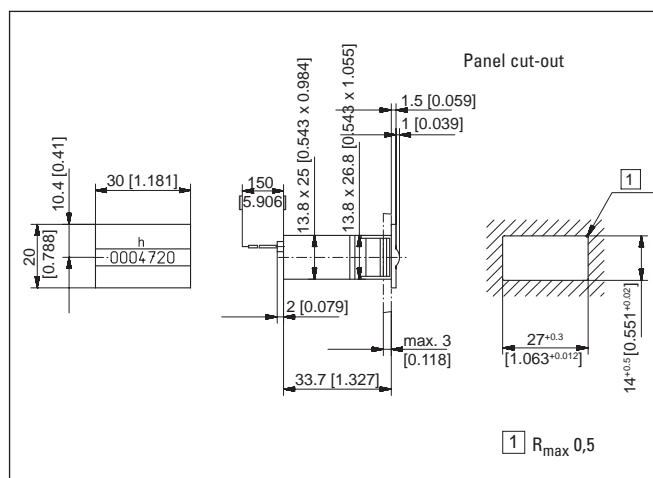
Technical data:

| | |
|------------------------|---|
| Drive: | Quartz controlled impulse drive |
| Impulse duration: | 32 ms; every 36 s = 0.01 h (Power on times < 36 s are not counted) |
| Electrical connection: | HK 46.20/HK 47.20: Flying leads AWG 22, approx. 150 mm [5.906"] long (red +, black -) HK 46.80/HK 47.80: solder pins \varnothing 0.64 mm [0.025"] |
| Display: | 9999.99 h resp. 99999.99 h |
| Figures: | white on black 1/10, 1/100 decimal red on black |
| Supply voltage: | 4.5 ... 35 V DC |
| Residual ripple: | < 1 % |
| Current consumption: | < 1.5 mA (average) |
| Power consumption: | at $U_B = 5$ V DC typ. 82 mW at $U_B = 12$ V DC typ. 135 mW at $U_B = 24$ V DC typ. 135 mW max. 170 mW (count impulse every 36 s with an impulse duration of 32 ms) |
| Accuracy: | 22.5 ppm at 25 °C [[77 °F] |

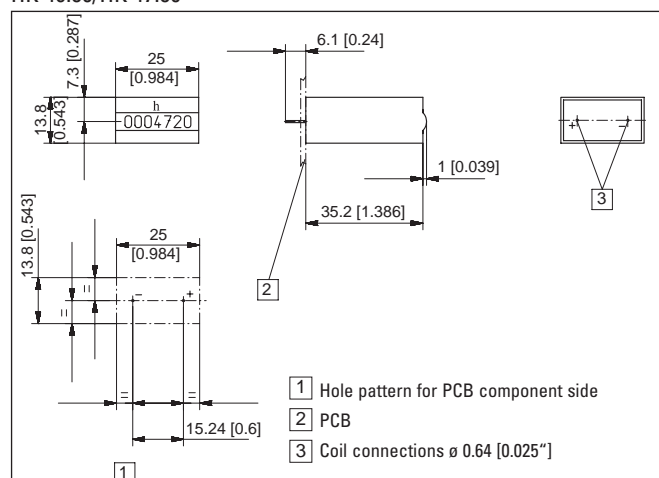
| | |
|-------------------------------------|---|
| Height of figures: | HK 47: 4 x 1.25 mm [0.158 x 0.049"] HK 46: 4 x 1.7 mm [0.158 x 0.067"] magnified |
| Reset: | no reset |
| Ambient temperature: | -10 ... +60 °C [14 ... 140 °F] non condensing |
| Storage temperature: | -20 ... +70 °C [-4 ... 158 °F] |
| Mounting position: | any |
| Solderable and wash proof versions: | HK 46.80/HK 47.80 |
| Soldering temperature: | 265 °C, max. 3 sec. |
| Protection according to EN 60529: | IP 66 for HK 46.80/HK 47.80 IP 66 (only front) for HK 46.20/HK 47.20 |
| EMC: | Immunity to interference: EN55011 class B Emitted interference EN61000-6-2 |
| Housing: | PC transparent; HK 47.80 |
| Weight: | 13 ... 15 g [0.459 ... 0.529 oz] |
| Options for: | |
| HK 4X.20, 4X.80: | flat pin 0.8 x 2.8 mm [0.032 x 0.11"] and push-on connectors |
| HK 46.20/HK 47.20: | solder pins \varnothing 0.64 mm [0.025"] |
| HK48.80/HK47.80: | cable AWG22, 150 mm long [5.9"] |

Dimensions:

HK 46.20/HK 47.20



HK 46.80/HK 47.80



Order code:

| | HK 46.20 | HK 47.20 |
|-----------------|---------------|-----------------|
| | Art. no. | Art. no. |
| 4.5 ... 35 V DC | 3.050.200.383 | 3.060.200.383 * |

*standard stock model

| | HK 46.80 | HK 47.80 |
|-----------------|---------------|---------------|
| | Art. no. | Art. no. |
| 4.5 ... 35 V DC | 3.050.800.383 | 3.060.800.383 |