

VK3 // with pipe tee



VK3

Your advantages

| Series | VK3 |
|--------|---|
| | <ul style="list-style-type: none"> • Cost optimized plastic version • Factory set special set points for series applications • Brass tee DN 8...50 |

Technical data

| | |
|--------------------------------------|--|
| Switching function | Contact → closes at increasing flow → opens at decreasing flow Reversing possible |
| Pressure rating | PN 10 |
| Temperature ranges | |
| Medium | -25...100 °C |
| Ambient | -25...70 °C |
| Electrical data | |
| Electrical connection | 1.5 m PVC jacket cable |
| Switching current | Max. 1 A |
| Switching voltage | Max. 230 VAC, 48 VDC |
| Rating | Max. 26 VA, 20 W |
| Degree of protection EN 60529 | IP65 |
| Protection class EN 60730-1 | Class II |

Approvals



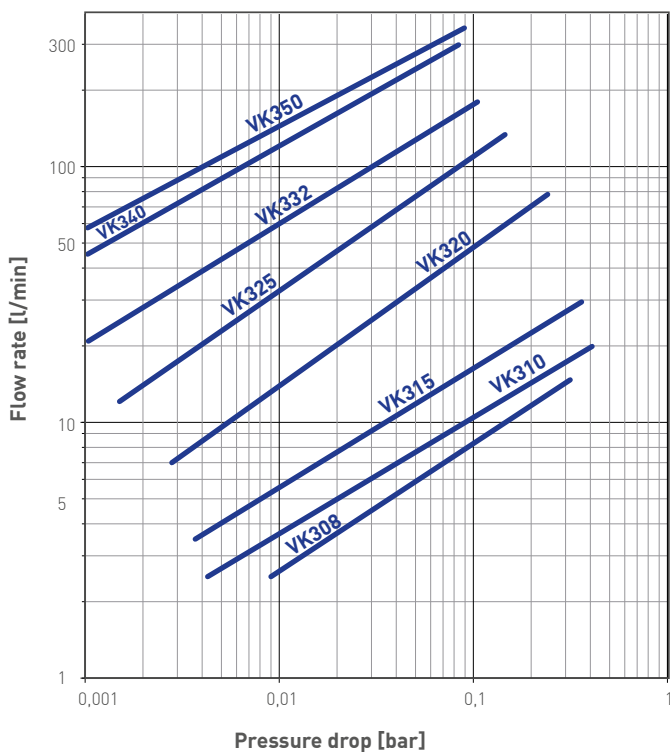
Options

| For type | On request |
|----------|---|
| VK3 | <ul style="list-style-type: none"> → Special setpoints → 4 different colours of the union nut for distinction → Recognized component ETL according to UL & CSA standards |

| Nominal diameter | Thread connection D ₁ | Setpoint ranges [l/min]* | | Max. flow rate [l/min] |
|------------------|------------------------------------|--------------------------|---------------------|------------------------|
| | | Increasing flow ON | Decreasing flow OFF | |
| DN 8 | G ¹ / ₄ | 2,2...2,7 | 2,1...2,6 | 15 |
| DN 10 | G ³ / ₈ | 2,5...3,3 | 2,4...3,1 | 20 |
| DN 15 | G ¹ / ₂ | 3,4...4,4 | 3,2...4,2 | 30 |
| DN 15 | G ¹ / ₂ male | 2,7...3,3 | 2,5...3,2 | 20 |
| DN 15 | G ³ / ₄ male | 2,7...3,3 | 2,5...3,2 | 20 |
| DN 20 | G ³ / ₄ | 7,0...8,7 | 6,4...8,0 | 80 |
| DN 25 | G 1 | 12,0...15,4 | 11,0...14,0 | 130 |
| DN 32 | G 1 ¹ / ₄ | 14,5...18,4 | 13,5...17,2 | 180 |
| DN 40 | G 1 ¹ / ₂ | 25,8...36,5 | 24,0...31,5 | 300 |
| DN 50 | G 2 | 41,5...56,0 | 39,0...52,7 | 350 |

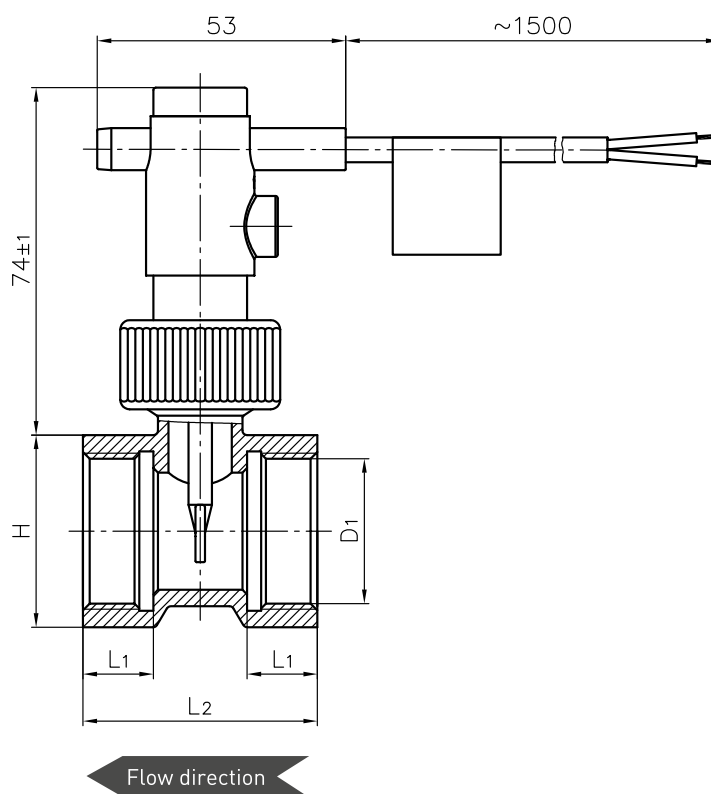
* Water, 20 °C, horizontal pipe, tolerance ±15 %

Typical pressure drop



Dimensions [mm]

| Thread connection D ₁ | L ₁ | L ₂ | H |
|----------------------------------|----------------|----------------|----|
| G 1/4 | 11 | 50 | 27 |
| G 3/8 | 11 | 50 | 27 |
| G 1/2 | 11 | 50 | 27 |
| G 1/2 male | 10 | 60 | |
| G 3/4 male | 11 | 50 | |
| G 3/4 | 15 | 50 | 32 |
| G 1 | 15 | 50 | 41 |
| G 1 1/4 | 15 | 50 | 48 |
| G 1 1/2 | 15 | 50 | 55 |
| G 2 | 22 | 64 | 70 |



Materials in contact with fluid

| | |
|---------------------|---|
| Body, Paddle | PPE+PS Noryl™ 30 % glass fibre reinforced |
| Pipe tee | Brass CW617N |
| Pin* | Stainless steel 1.4571 |
| Magnet | Hard ferrite |
| O-ring | NBR |

* only VK340 and VK350

| Order code | | |
|------------------|-------------------|----------------|
| Nominal diameter | Thread connection | Order number |
| DN 8 | G 1/4 | VK308M0P10PI11 |
| DN 10 | G 3/8 | VK310M0P10PI21 |
| DN 15 | G 1/2 | VK315M0P10PI31 |
| DN 15 | G 1/2 male | VK315M0P10PA31 |
| DN 15 | G 3/4 male | VK315M0P10PA41 |
| DN 20 | G 3/4 | VK320M0P10PI41 |
| DN 25 | G 1 | VK325M0P10PI51 |
| DN 32 | G 1 1/4 | VK332M0P10PI61 |
| DN 40 | G 1 1/2 | VK340M0P10PI71 |
| DN 50 | G 2 | VK350M0P10PI81 |