

## VHS, VH3 // with pipe tee



### Your advantages

Series	VHS / VH3
	<ul style="list-style-type: none"> <li>• Robust metal version for high maximum flow rates</li> <li>• Brass or stainless steel version, pipe tee DN 8...50</li> </ul>

### Technical data

<b>Switching function</b>	Contact → closes at increasing flow → opens at decreasing flow Reversing possible
<b>Pressure rating</b>	PN 25
<b>Temperature ranges</b>	
<b>Medium</b>	-25...110 °C
<b>Ambient</b>	-25...80 °C
<b>Electrical data</b>	
<b>Electrical connection</b>	Plug connector DIN EN 175301-803-A incl. cable socket 1.5 m PVC jacket cable
→ VHS	
→ VH3	
<b>Switching current</b>	Max. 1 A
<b>Switching voltage</b>	Max. 230 VAC, 48 VDC
<b>Rating</b>	Max. 26 VA, 20 W
<b>Degree of protection EN 60529</b>	IP65
<b>Protection class EN 60730-1</b>	Class II
<b>Approvals</b>	



### Options

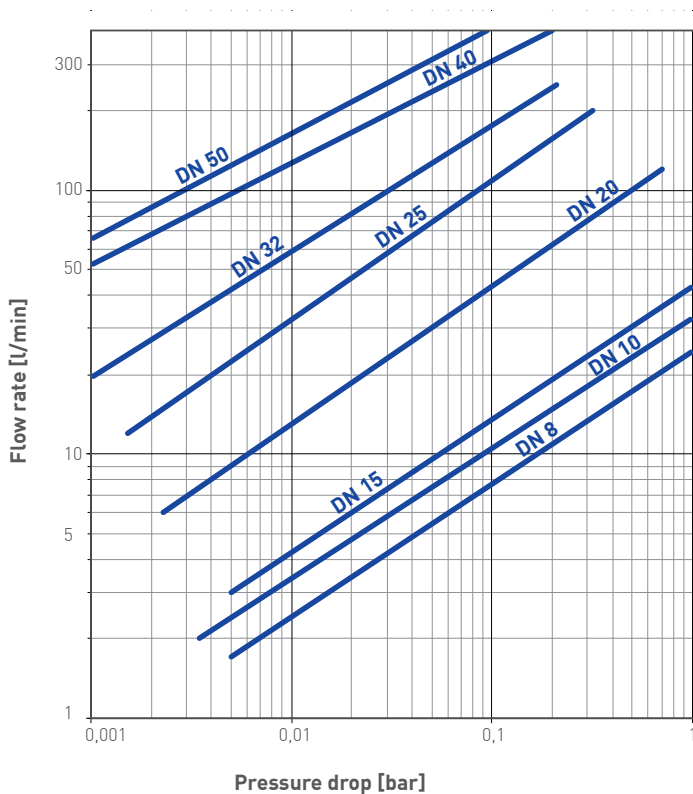
For type	See order code
<b>VHS</b>	→ Plug connector DIN EN 175301-803-A incl. cable socket with two LED for switching voltages 24 V...230 V AC/DC ±20 %, ambient temperature -20...70 °C → or 4-pin-sensor plug M12 x 1
<b>VHS / VH3</b>	→ For use in potentially explosive atmospheres (Version VH...X) max. media temperature 100 °C

Nominal diameter	Thread connection D <sub>1</sub>	Setpoint ranges [l/min]*				Max. flow rate [l/min]
		VHS		VH3		
		Increasing flow ON	Decreasing flow OFF	Increasing flow ON	Decreasing flow OFF	
DN 8	G 1/4	2.1...2.7	1.8...2.4	1.9...2.5	1.7...2.3	45
DN 10	G 3/8	2.5...3.2	2.2...2.9	2.4...3.0	2.1...2.8	60
DN 15	G 1/2	3.4...4.2	3.0...3.8	3.2...4.0	3.0...3.8	67
DN 15	G 1/2 male**	2.5...3.2	2.2...2.9	2.4...3.0	2.1...2.8	60
DN 15	G 3/4 male**	2.5...3.2	2.2...2.9	2.4...3.0	2.1...2.8	60
DN 20	G 3/4	7.0...9.1	6.4...8.2	6.6...8.2	6.3...7.8	120
DN 25	G 1	13.5...17.0	12.0...15.5	13.0...15.5	12.5...15.0	195
DN 32	G 1 1/4	15.5...20.5	14.5...19.0	14.5...18.0	13.5...17.0	240
DN 40	G 1 1/2	26.5...34.5	25.5...32.5	25.0...31.0	24.0...30.0	400
DN 50	G 2	39.5...51.0	39.0...50.0	37.5...47.5	36.5...46.5	400

\* Water, 20 °C, horizontal pipe, tolerance ±15 %

\*\* Only available as brass version

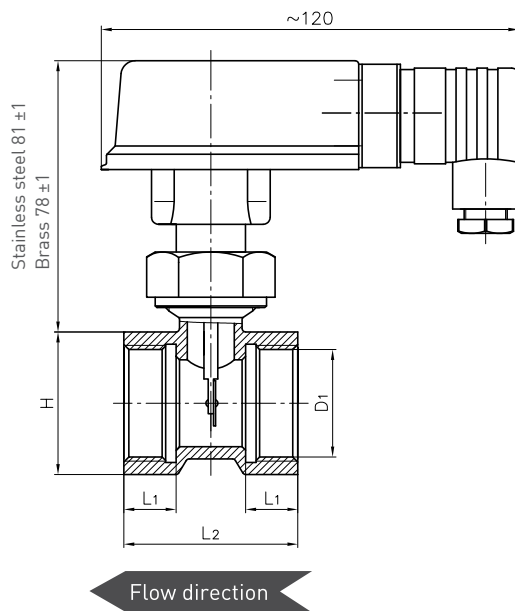
### Typical pressure drop



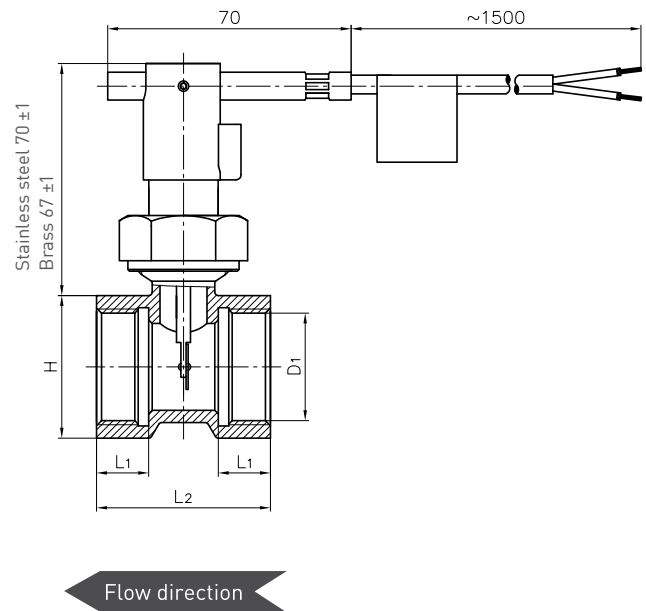
## Dimensions [mm]

Thread connection D <sub>1</sub>	L <sub>1</sub>	L <sub>2</sub>	H	L <sub>1</sub>	L <sub>2</sub>	H
	Brass version			Stainless steel version		
G ¼	11	50	27	11	50	27
G ⅜	11	50	27	11	50	27
G ½	11	50	27	11	50	27
G ½ (male)	10	60				
G ¾ (male)	11	50				
G ¾	15	50	32	15	50	32
G 1	15	50	41	15	50	41
G 1¼	15	50	48	15	50	46
G 1½	15	50	55	15	50	55
G 2	22	64	70	15	50	70

VHS



VH3



## Materials in contact with fluid

	Brass version	Stainless steel version
<b>Body, Paddle</b>	Brass CW614N	Stainless steel 1.4571
<b>Pipe tee</b>	Brass CW617N	Stainless steel 1.4571
<b>Bushing</b>	PPE+PS Noryl™ 30 % glass fibre reinforced	PVDF
<b>Rivet</b>	Brass CW508L	Stainless steel 1.4303
<b>Pin</b>	Stainless steel 1.4571	
<b>Magnet</b>	Hard ferrite	
<b>O-ring</b>	NBR	

Order code										
Type										
<b>VHS</b>										
Plug connector incl. cable socket (standard)		VHS			7					
Plug connector incl. cable socket with LED (option)		VHS			9					
4-pin-sensor plug M12 x 1 (option)		VHS			8					
<b>VH3</b>										
1.5 m PVC jacket cable		VH3			1					
1.5 m PVC blue jacket cable (only for option „for use in potentially explosive atmospheres“)		VH3			3					
Nominal diameter	Thread connection									
DN 8	G ¼		08					I1		
DN 10	G ⅜		10					I2		
DN 15	G ½		15					I3		
DN 15	G ½ male (only brass version)		15					A3		
DN 15	G ¾ male (only brass version)		15					A4		
DN 20	G ¾		20					I4		
DN 25	G 1		25					I5		
DN 32	G 1 ¼		32					I6		
DN 40	G 1 ½		40					I7		
DN 50	G 2		50					I8		
Material										
Brass			M011			1			1	
Stainless steel			M031			3			3	
Version										
Standard									( )*	
For use in potentially explosive atmospheres (Option)**									X	
Example order number				VHS	08	M011	7	1	I1	1

\* No character

\*\* Only available with blue jacket cable or with plug connector incl. cable socket. Max. media temperature 100 °C.

BEST  
SELLER

Type		Order number							
VHS	Plug connector incl. cable socket, DN 15, G ½, brass, standard	VHS	15	M011	7	1	I3	1	
VHS	Plug connector incl. cable socket, DN 20, G ¾, brass, standard	VHS	20	M011	7	1	I4	1	
VHS	Plug connector incl. cable socket, DN 25, G 1, brass, standard	VHS	25	M011	7	1	I5	1	