

Industrial thermometer type 175 / 272 / 292 Bdr

Rotatable angle version // Aluminium gold-coloured anodised



Highlights

- Thermometer casing axially rotatable by 360° → adjustable for reading in any viewing direction
- No aging - no moving parts and no mechanical wear
- Lifetime warranty*
- Completely without electrical power supply
- Available as type 272, 292 and 175

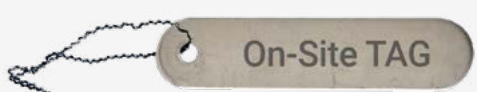
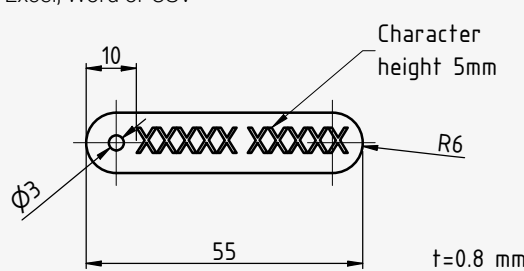
* Except glass breakage and improper installation.

Article numbers

Order code								
Version								
Gold-coloured, angle 90°, nominal size 110 mm	175							
Gold-coloured, angle 90°, nominal size 150 mm	292							
Gold-coloured, angle 90°, nominal size 200 mm	272							
Immersion tube type B								
Angle version rotatable	6							
Display ranges								
0...100 °C			10					
0...120 °C			12					
0...160 °C			16					
0...200 °C			20					
Scale								
Celsius °C					1			
Thermometric filling liquid								
Blue filling						1		
Immersion tube installation lengths (l₁)								
63 mm							063	
100 mm							100	
160 mm							160	
250 mm							250	
Process connection								
G½								2
G¾								3
Immersion tube materials								
Brass								1
Stainless steel								3
Example order number	175	6	10	1	1	063	2	1

Further options on request.

Accessories

Accessories	Article number
<p>Measuring point designation Laser-inscribed stainless steel plate with fixing wire for easy attachment to measuring points → Scope of delivery: Designation plate inscribed according to specification and enclosed fixing wire (sealing wire) → Fastening: Wire (included in delivery), alternatively sealing, cable ties or similar (not included in delivery) → Materials: Plate stainless steel 1.4571, wire stainless steel → Dimensions: Plate 55 x 10 x 0.8 mm, wire length 180 mm → Inscription: one-sided, single-line, max. 11 characters, character height 5 mm, designation width max. 40 mm, letters, numbers, symbols, barcodes, QR codes → Transmission of designations: digital list, file formats Excel, Word or CSV</p>  	<p>ONSITETAG</p>