

Flow regulators // VB

VB15



VB20



Highlights

- Compact design
- Easy installation
- Reliable, no wearing parts
- No auxiliary power required

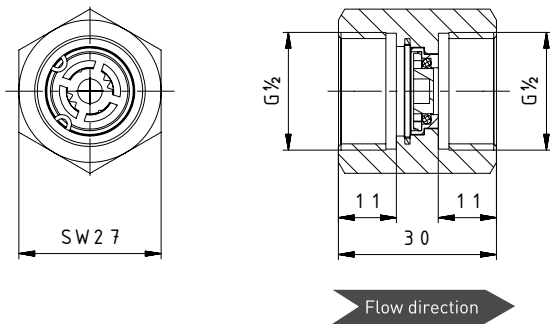
Technical data	
Type	Set value (flow rate) [l/min]*
VB1503SR...	3
VB1504SR...	4
VB1506SR...	6
VB1507SR...	7
VB1508SR...	8
VB1510SR...	10
VB1512SR...	12
General data	
Tolerance of control	≤ 5 l/min: ±15 % > 5 l/min: ±10 %
Medium temperature	10...60 °C
Working pressure	1...10 bar
Diameter	DN 15
Process connection	G½

* Water, 20 °C

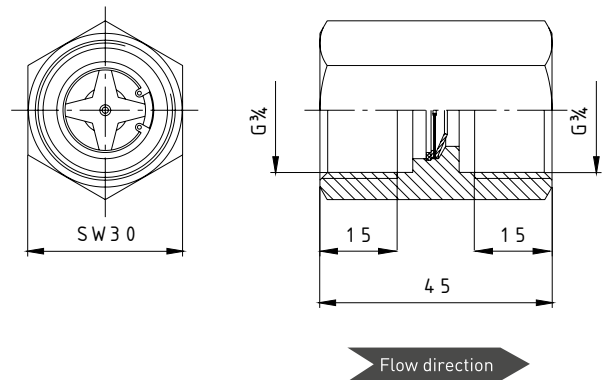
Technical data	
Type	Set value (flow rate) [l/min]*
VB2001ER...	1
	Set values 1...30 l/min in 1 l/min steps available
VB2030ER...	30
General data	
Tolerance of control	< 3 l/min: ±15 % > 3 l/min: ±10 %
Medium temperature	-20...200 °C
Working pressure	2...10 bar
Diameter	DN 20 (optional DN 15)
Process connection	G¾ (optional G½)

Technical drawings

VB15



VB20



Materials

Materials in contact with fluid		
Type	VB15	VB20
Pipe section	Brass CW617N or stainless steel 1.4571	Brass CW617N or stainless steel 1.4305
Inner parts	EPDM, Hostaform C POM, stainless steel 1.4422	Stainless steel 1.4310 / 1.4301 / A2

Article numbers

Order code		
Set value		
3 l/min		VB1503SR
4 l/min		VB1504SR
6 l/min		VB1506SR
7 l/min		VB1507SR
8 l/min		VB1508SR
10 l/min		VB1510SR
12 l/min		VB1512SR
Material		
Brass		MS1
Stainless steel		VA1
Example order number		VB1503SR MS1

Order code		
Set value		
1 l/min		VB2001ER
2 l/min		VB2002ER
Requested set value in steps of 1 l/min		
30 l/min		VB2030ER
Material		
Brass		MS3
Stainless steel		VA3
Example order number		VB2001ER MS3