

T2415

Compact temperature sensors with connector and 4 to 20 mA output

- Suitable for gas or liquid medias, e.g. air, gas, steam, water and oil.
- Selectable measuring range from -50 °C to 200 °C.
- Current output 4 to 20 mA, loop powered.
- Accuracy class B or A according EN 60751.
- Connector EN 175301-803 type A (ISO 4400) or circle connector M12×1.
- Stainless steel body AISI 316L/316Ti.
- Nominal pressure PN63.
- Ambient temperature for electronics -40 to +85 °C.
- Error current >21 mA.
- Housing IP65.



Ordering table

Type		1	2	3	4	5	6	7	8	○	
1. code	Description										
T2415	Compact temperature sensor with connector and 4 to 20 mA output										
Measuring range		1	2	3	4	5	6	7	8	○	
2. code	Description										
F0	-50 to 200 °C										
F1	-50 to 150 °C										
F2	-25 to 100 °C										
F3	-40 to 60 °C										
F4	0 to 100 °C										
F5	0 to 120 °C										
F6	0 to 150 °C										
F7	0 to 200 °C										
F9	other										
Accuracy class		1	2	3	4	5	6	7	8	○	
3. code	Accuracy class according EN 60751										
B	B	(-50 °C ± 0,55 °C; 0 °C ± 0,3 °C; 100 °C ± 0,8 °C; 200 °C ± 1,3 °C)									
A	A	(-50 °C ± 0,25 °C; 0 °C ± 0,15 °C; 100 °C ± 0,35 °C; 200 °C ± 0,55 °C)									
9	other										

Stem ① ② ③ ④ ⑤ ⑥ ⑦ ⑧ ○		
4. code	Outer diameter - D	Material
D40	4 mm *1	SS316L
D60	6 mm	SS316L/316Ti
D9	other	

1 - Only for L + N max. 140 mm.

Immersion length ① ② ③ ④ ⑤ ⑥ ⑦ ⑧ ○	
5. code	Immersion length - L
L030	30 mm
L060	60 mm
L100	100 mm
L150	150 mm
L200	200 mm
L250	250 mm
L300	300 mm
L400	400 mm
L___	other - enter length in mm to code

Process connection ① ② ③ ④ ⑤ ⑥ ⑦ ⑧ ○		
6. code	Description	
G00	without connection	
G02	G1/4" DIN 3852-2 type A (for flat sealing)	
G04	G1/2" DIN 3852-2 type A (for flat sealing)	
C34	flange CLAMP with diameter 34,0 mm	nor for N000
C50	flange CLAMP with diameter 50,5 mm	nor for N000
C64	flange CLAMP with diameter 64,0 mm	nor for N000
G9	other	

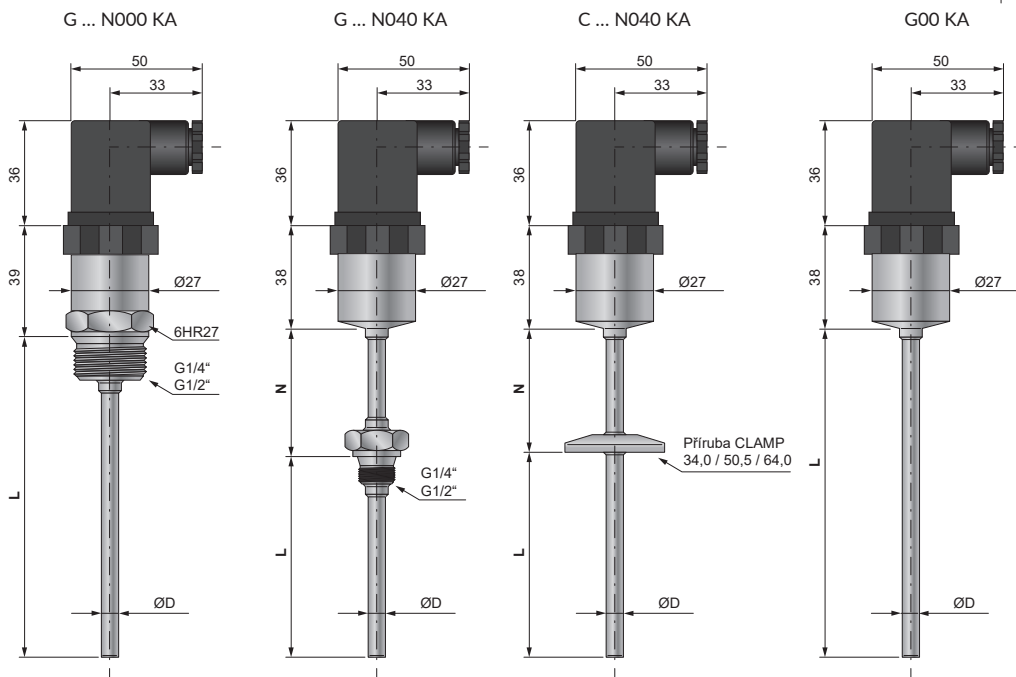
Extension (not for code G00) ① ② ③ ④ ⑤ ⑥ ⑦ ⑧ ○		
7. code	Extension - N	
N000	without extension	max. temperature on thread 85 °C
N040	40 mm	
N100	100 mm	
N___	other - enter length in mm to code	

Electrical connection ① ② ③ ④ ⑤ ⑥ ⑦ ⑧ ○	
8. code	Description
KA	connector EN 175301- 803 type A (ISO 4400, DIN 43650).
K124	connector circle M12×1, 4 pin
K9	other

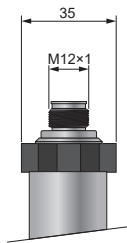
Optional accessories and versions ① ② ③ ④ ⑤ ⑥ ⑦ ⑧ ●		
Code	Calibration	
KTE3	3-point calibration in range -40 to 200 °C	for immersions less than 150 mm only to 80 °C
Code	Display units	
ZJ-30	LED display for direct mounting to temperature/pressure sensor including angle adapter with connector ISO4400, input 4 to 20 mA, loop-powered	

Example of order:

T2415 F4 B D60 L150 G04 N000 KA KTE3 (0, 50, 100 °C)



K124



ZJ-30 + angle adapter

